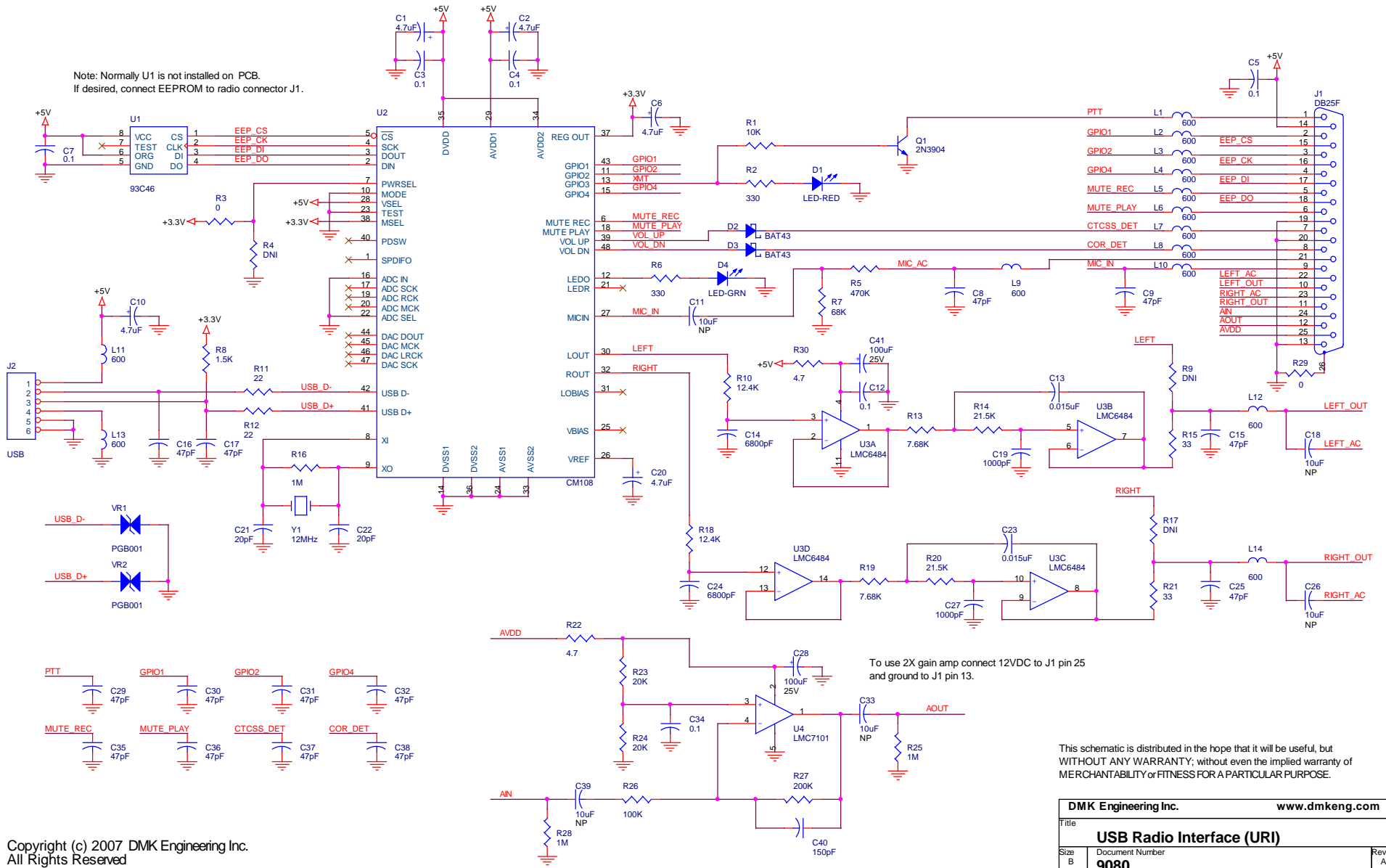


Note: Normally U1 is not installed on PCB.
If desired, connect EEPROM to radio connector J1.



To use 2X gain amp connect 12VDC to J1 pin 25 and ground to J1 pin 13.

This schematic is distributed in the hope that it will be useful, but WITHOUT ANY WARRANTY; without even the implied warranty of MERCHANTABILITY or FITNESS FOR A PARTICULAR PURPOSE.

Copyright (c) 2007 DMK Engineering Inc.
All Rights Reserved

DMK Engineering Inc. www.dmkeng.com

Title **USB Radio Interface (URI)**

Size B	Document Number 9080	Rev A
Date: Thursday, December 20, 2007	Sheet 1 of 1	