

# GPS 18x TECHNICAL SPECIFICATIONS



**GARMIN**®

Garmin International, Inc.  
1200 E. 151<sup>st</sup> Street  
Olathe, KS 66062 USA

190-00879-08 Revision D  
October 2011

© 2008–2011 Garmin Ltd. or its subsidiaries

Garmin International, Inc  
1200 East 151st Street,  
Olathe, Kansas 66062, USA  
Tel. 913/397.8200 or 800/800.1020  
Fax 913/397.8282

Garmin (Europe) Ltd.  
Liberty House, Hounslow Business Park  
Southampton, Hampshire, SO40 9LR UK  
Tel. +44 (0) 870.8501242 (outside the UK) 0808 2380000 (within the UK)  
Fax +44 (0) 870.8501251

Garmin Corporation  
No. 68, Zhangshu 2nd Road, Xizhi Dist.  
New Taipei City, 221, Taiwan (R.O.C.)  
Tel. 886/2.2642.9199  
Fax 886/2.2642.9099

All rights reserved. Except as expressly provided herein, no part of this manual may be reproduced, copied, transmitted, disseminated, downloaded, or stored in any storage medium, for any purpose without the express prior written consent of Garmin. Garmin hereby grants permission to download a single copy of this manual onto a hard drive or other electronic storage medium to be viewed and to print one copy of this manual or of any revision hereto, provided that such electronic or printed copy of this manual must contain the complete text of this copyright notice and provided further that any unauthorized commercial distribution of this manual or any revision hereto is strictly prohibited.

Information in this document is subject to change without notice. Garmin reserves the right to change or improve its products and to make changes in the content without obligation to notify any person or organization of such changes or improvements. Visit the Garmin Web site ([www.garmin.com](http://www.garmin.com)) for current updates and supplemental information concerning the use and operation of this and other Garmin products.

Garmin® and MapSource® are registered trademarks of Garmin Ltd. or its subsidiaries and may not be used without the express permission of Garmin.

Windows® is a registered trademark of the Microsoft Corporation.

Macintosh® is a registered trademark of Apple Inc.

Web site address: [www.garmin.com](http://www.garmin.com)

## RECORD OF REVISIONS

<b>Revision</b>	<b>Revision Date</b>	<b>Description</b>	<b>ECO #</b>
A	12/7/07	Initial Release	--
B	1/15/08	Revised and Redrawn	50283
C	9/2/08	Revised and Redrawn	56061
D	10/3/11	Revised and Redrawn	85241

# TABLE OF CONTENTS

<b>1</b>	<b>Introduction.....</b>	<b>1</b>
1.1	Cautions.....	1
1.2	Limited Warranty.....	2
1.3	Overview.....	3
1.4	Features.....	3
1.5	GPS 18x Series.....	4
1.5.1	GPS 18x USB.....	4
1.5.2	GPS 18x PC.....	4
1.5.3	GPS 18x LVC, GPS 18x LVC-5m, and GPS 18x-5Hz.....	4
1.6	Technical Specifications.....	5
1.6.1	Physical Characteristics.....	5
1.6.1.1	Size.....	5
1.6.1.2	Weight.....	5
1.6.1.3	Color.....	5
1.6.1.4	Case Material.....	5
1.6.1.5	Cable Length.....	5
1.6.2	Electrical Characteristics.....	5
1.6.2.1	Input Voltage.....	5
1.6.2.2	Input Current.....	5
1.6.2.3	CMOS Serial Output Levels.....	5
1.6.2.4	GPS Receiver Sensitivity.....	5
1.6.2.5	Environmental Characteristics.....	6
1.6.3	GPS Performance.....	6
1.6.3.1	Receiver.....	6
1.6.3.2	Acquisition Times.....	6
1.6.3.3	Update Rate.....	6
1.6.3.4	Accuracy.....	6
1.6.4	Interfaces.....	6
1.6.4.1	GPS 18x Electrical Characteristics.....	6
1.6.4.2	Garmin Interface and Garmin USB Protocol.....	6
1.6.4.3	GPS 18x PC, GPS 18x LVC, & GPS 18x-5Hz Protocols.....	7
1.6.4.4	Measurement Pulse Output (GPS 18x LVC & GPS 18x-5Hz only).....	7
<b>2</b>	<b>GPSx 18x LVC &amp; GPS 18x -5Hz Wiring and Pinouts .....</b>	<b>8</b>
2.1	GPS 18x LVC & GPS 18x -5Hz Pinout.....	8
2.2	GPS 18x LVC & GPS 18x -5Hz Wiring Diagrams.....	8
<b>3</b>	<b>Mechanical Characteristics &amp; Mounting.....</b>	<b>10</b>
<b>4</b>	<b>GPS 18x PC, GPS 18x LVC, &amp; GPS 18x-5Hz Software Interface.....</b>	<b>12</b>
4.1	Received NMEA 0183 Sentences.....	12
4.1.1	Almanac Information (ALM).....	12
4.1.2	Sensor Initialization Information (PGRMI).....	13
4.1.3	Sensor Configuration Information (PGRMC).....	13
4.1.4	Additional Sensor Configuration Information (PGRMC1).....	14
4.1.5	Output Sentence Enable/Disable (PGRMO).....	14
4.2	Transmitted NMEA 0183 Sentences.....	15
4.2.1	Sentence Transmission Rate.....	15
4.2.2	Transmitted Time.....	16
4.2.3	Global Positioning System Almanac Data (ALM).....	16
4.2.4	Global Positioning System Fix Data (GGA).....	17
4.2.5	GPS DOP and Active Satellites (GSA).....	17
4.2.6	GPS Satellites in View (GSV).....	17
4.2.7	Recommended Minimum Specific GPS/TRANSIT Data (RMC).....	18

4.2.8	Track Made Good and Ground Speed (VTG) .....	18
4.2.9	Geographic Position (GLL).....	18
4.2.10	Estimated Error Information (PGRME).....	18
4.2.11	GPS Fix Data Sentence (PGRMF) .....	19
4.2.12	Programmable Device ID (PGRMID).....	19
4.2.13	Map Datum (PGRMM) .....	19
4.2.14	Sensor Status Information (PGRMT).....	19
4.2.15	3D Velocity Information (PGRMV) .....	20
4.2.16	DGPS Beacon Information (PGRMB).....	20
4.3	Baud Rate Selection .....	20
4.4	Measurement Pulse Output (GPS 18x LVC & 18x-5Hz only).....	20
4.4.1	One-Pulse-Per-Second (PPS) Output (GPS 18x LVC Only).....	20
4.4.2	Five-Pulse-Per-Second Output (GPS 18x-5Hz Only) .....	20
<b>Appendix A: Earth Datum List .....</b>		<b>22</b>
<b>Appendix B: Garmin Binary Output Format .....</b>		<b>25</b>
<b>Appendix C: Changing the Baud Rate in Garmin Mode.....</b>		<b>29</b>
<b>Appendix D: GPS 18x PC/ LVC/18x-5Hz &amp; Windows Serial Mouse Issue .....</b>		<b>30</b>
<b>Appendix E: Sensor Configuration Software.....</b>		<b>32</b>
	Downloading the Sensor Configuration Software.....	32
	Selecting a Model .....	32
	Connecting to the Sensor .....	32
	Menus 33	
	File Menu.....	33
	Comm Menu .....	33
	Config Menu.....	33
	View Menu .....	34
	Help Menu .....	34

## LIST OF TABLES AND FIGURES

Table 1: GPS 18x LVC & GPS 18x-5Hz Wire Pinout .....	8
Figure 1: Computer Serial Port Interconnection.....	8
Figure 2. PDA Serial Port Interconnection .....	9
Figure 3. Basic NMEA Device Interconnection.....	9
Figure 4a. GPS 18x Bottom Case Dimensions, Under Mold.....	10
Figure 4b. GPS 18x Bottom Case, Outside of Casing .....	10
Figure 5. GPS 18x Suction Cup Mount Center Hole Dimensions.....	11
Figure 6. GPS 18x Flush Mount Dimensions .....	11
Figure 7. GPS 18x Flush Mount Center Hole Dimensions.....	11
Table 2: NMEA 0183 Output Sentence Order and Size .....	15
Table 3: Characters per Second for Available Baud Rates .....	15

# **1 INTRODUCTION**

## **1.1 CAUTIONS**

### **CAUTION**

The GPS system is operated by the government of the United States, which is solely responsible for its accuracy and maintenance. Although the GPS 18x is a precision electronic NAVigation AID (NAVAID), any NAVAID can be misused or misinterpreted, and therefore become unsafe. Use these products at your own risk. To reduce the risk, carefully review and understand all aspects of these Technical Specifications before using the GPS 18x. When in actual use, carefully compare indications from the GPS to all available navigation sources including the information from other NAVAIDs, visual sightings, charts, etc. For safety, always resolve any discrepancies before continuing navigation.

### **FCC Compliance**

This device complies with part 15 of the FCC Rules. Operation is subject to the following two conditions: (1) this device may not cause harmful interference, and (2) this device must accept any interference received, including interference that may cause undesired operation.

This equipment has been tested and found to comply with the limits for a Class B digital device, pursuant to part 15 of the FCC rules. These limits are designed to provide reasonable protection against harmful interference in a residential installation. This equipment generates, uses, and can radiate radio frequency energy and may cause harmful interference to radio communications if not installed and used in accordance with the instructions. However, there is no guarantee that interference will not occur in a particular installation. If this equipment does cause harmful interference to radio or television reception, which can be determined by turning the equipment off and on, the user is encouraged to try to correct the interference by one of the following measures:

- Reorient or relocate the receiving antenna.
- Increase the separation between the equipment and the receiver.
- Connect the equipment into an outlet that is on a different circuit from the GPS unit.
- Consult the dealer or an experienced radio/TV technician for help.

This product does not contain any user-serviceable parts. Repairs should only be made by an authorized Garmin service center. Unauthorized repairs or modifications could result in permanent damage to the equipment, and void your warranty and your authority to operate this device under Part 15 regulations.

## 1.2 LIMITED WARRANTY

This Garmin product is warranted to be free from defects in materials or workmanship for one year from the date of purchase. Within this period, Garmin will, at its sole option, repair or replace any components that fail in normal use. Such repairs or replacement will be made at no charge to the customer for parts or labor, provided that the customer shall be responsible for any transportation cost. This warranty does not apply to: (i) cosmetic damage, such as scratches, nicks and dents; (ii) consumable parts, such as batteries, unless product damage has occurred due to a defect in materials or workmanship; (iii) damage caused by accident, abuse, misuse, water, flood, fire, or other acts of nature or external causes; (iv) damage caused by service performed by anyone who is not an authorized service provider of Garmin; or (v) damage to a product that has been modified or altered without the written permission of Garmin. In addition, Garmin reserves the right to refuse warranty claims against products or services that are obtained and/or used in contravention of the laws of any country.

This product is intended to be used only as a travel aid and must not be used for any purpose requiring precise measurement of direction, distance, location or topography. Garmin makes no warranty as to the accuracy or completeness of map data in this product.

THE WARRANTIES AND REMEDIES CONTAINED HEREIN ARE EXCLUSIVE AND IN LIEU OF ALL OTHER WARRANTIES EXPRESS, IMPLIED, OR STATUTORY, INCLUDING ANY LIABILITY ARISING UNDER ANY WARRANTY OF MERCHANTABILITY OR FITNESS FOR A PARTICULAR PURPOSE, STATUTORY OR OTHERWISE. THIS WARRANTY GIVES YOU SPECIFIC LEGAL RIGHTS, WHICH MAY VARY FROM STATE TO STATE.

IN NO EVENT SHALL GARMIN BE LIABLE FOR ANY INCIDENTAL, SPECIAL, INDIRECT OR CONSEQUENTIAL DAMAGES, INCLUDING, WITHOUT LIMITATION, DAMAGES FOR ANY TRAFFIC FINES OR CITATIONS, WHETHER RESULTING FROM THE USE, MISUSE OR INABILITY TO USE THE PRODUCT OR FROM DEFECTS IN THE PRODUCT. SOME STATES DO NOT ALLOW THE EXCLUSION OF INCIDENTAL OR CONSEQUENTIAL DAMAGES, SO THE ABOVE LIMITATIONS MAY NOT APPLY TO YOU.

Garmin retains the exclusive right to repair or replace (with a new or newly-overhauled replacement product) the device or software or offer a full refund of the purchase price at its sole discretion. SUCH REMEDY SHALL BE YOUR SOLE AND EXCLUSIVE REMEDY FOR ANY BREACH OF WARRANTY.

To obtain warranty service, contact your local Garmin authorized dealer or call Garmin Product Support for shipping instructions and an RMA tracking number. Securely pack the device and a copy of the original sales receipt, which is required as the proof of purchase for warranty repairs. Write the tracking number clearly on the outside of the package. Send the device, freight charges prepaid, to any Garmin warranty service station.

**Online Auction Purchases:** Products purchased through online auctions are not eligible for warranty coverage. Online auction confirmations are not accepted for warranty verification. To obtain warranty service, an original or copy of the sales receipt from the original retailer is required. Garmin will not replace missing components from any package purchased through an online auction.

**International Purchases:** A separate warranty may be provided by international distributors for devices purchased outside the United States depending on the country. If applicable, this warranty is provided by the local in-country distributor and this distributor provides local service for your device. Distributor warranties are only valid in the area of intended distribution. Devices purchased in the United States or Canada must be returned to the Garmin service center in the United Kingdom, the United States, Canada, or Taiwan for service.

**Garmin's Marine Warranty Policy:** Certain Garmin Marine products in certain areas have a longer warranty period and additional terms and conditions. Go to [www.garmin.com/support/warranty.html](http://www.garmin.com/support/warranty.html) for more details and to see if your product is covered under Garmin's Marine Warranty Policy.

## 1.3 OVERVIEW

The GPS 18x series products include an embedded receiver and an antenna. Based on the proven technology found in other Garmin GPS receivers, the GPS 18x tracks multiple satellites at a time while providing fast time-to-first-fix, precise navigation updates (five times per second for the GPS 18x-5Hz, and once per second for the GPS 18x USB, 18x PC, and 18x LVC), and low power consumption. This generation of GPS sensors includes the capability of FAA Wide Area Augmentation System (WAAS) differential GPS.

The GPS 18x design uses the latest technology and high-level circuit integration to achieve superior performance while minimizing space and power requirements. The hardware capability combined with software intelligence makes the GPS 18x easy to integrate and use.

The GPS 18x series products are designed to withstand rugged operating conditions and are waterproof to IEC 60529 IPX7, immersion in 1 meter of water for 30 minutes. These complete GPS receivers require minimal additional components to be supplied by an OEM or system integrator. A minimum system must provide the GPS with a source of power and a clear view of the GPS satellites. Internal FLASH memory allows the GPS to retain critical data such as satellite orbital parameters, last-known position, date and time. End user interfaces such as keyboards and displays are the responsibility of the application designer.

## 1.4 FEATURES

- GPS receiver tracks and uses multiple satellites for fast, accurate positioning and velocity estimates.
- Differential DGPS capability using real-time WAAS corrections yielding position accuracy of less than 3 meters.
- Compact, rugged design ideal for applications with minimal space.
- Factory configuration meets the needs of most systems that expect NMEA 0183 data from a GPS receiver. Configuration commands are available to customize the NMEA 0183 output (see section [4.1 Received NMEA 0183 Sentences](#))
- (GPS 18x LVC and GPS 18x-5Hz only) Highly accurate measurement pulse output for precise timing measurements: one-pulse-per-second (1 Hz) for the GPS 18x LVC or 5 Hz for GPS 18x-5Hz. Pulse width is configurable in 20-millisecond increments from 20 ms to 980 ms with 1  $\mu$ s accuracy.
- Configurable for binary format data output.
- FLASH-based program allows new software revisions through a Web site download.
- Non-volatile memory does not require battery backup.
- Onboard rechargeable backup battery can maintain the real-time clock for up to 10 days.
- Configurable parameters include expected position, current time and date, and preferred position fix type (3D or automatic).
- Waterproof design allows continuous exposure to the prevailing weather conditions at most locations.

## 1.5 GPS 18x SERIES

There are several different versions of GPS 18x available. Refer below for a list of the three major divisions of the GPS 18x Series.

### 1.5.1 GPS 18x USB

The GPS 18x USB interfaces to a computer with an available USB port. Drivers are available for use on Windows computers. Macintosh and Linux drivers are not available from Garmin. After the drivers are loaded, the device appears to the Windows operating system as a USB-connected device and appears in Device Manager as a Garmin USB Device.



### 1.5.2 GPS 18x PC

The GPS 18x PC interfaces to a serial port of a computer via a DB-9 connector and receives power through a 12-volt cigarette lighter adapter. The unit accepts TIA-232-F (RS-232) level inputs and transmits voltage levels that swing from zero V (ground) to 5 V TIA-232-F (RS-232) polarity.

The GPS 18x PC can cause an issue with Windows operating systems if the DB9 connector is plugged into the computer before the navigation software is up and running. The Windows operating system may interpret the serial connector on the GPS 18x as a serial mouse. Please refer to [Appendix D: GPS 18x PC/LVC/18x-5Hz & Window Serial Mouse Issue](#) for complete details.



### 1.5.3 GPS 18x LVC, GPS 18x LVC-5m, and GPS 18x-5Hz

These products interface to a serial port. The units accept TIA-232-F (RS-232) level inputs and transmit voltage levels that swing from ground to the positive supply voltage, TIA-232-F (RS-232) polarity. They also have reverse polarity protection. The cable contains wires for power, ground, receive, transmit, and measurement pulse output.

At the end of the cable, the wires are terminated in a connector that is used by Garmin for testing purposes. Most customers will remove this connector and replace it with another connector of their own choosing. Removing the factory installed connector and/or replacing with another customer-supplied connector will have no affect on the warranty (see section [1.2 Limited Warranty](#)). The factory-installed connector will mate with JST right-angle PCB-mount connector (model BM06B-SRSS-TBT) or side-entry PCB-mount connector (model SM06B-SRSS-TB). You may obtain technical information on these PCB-mount mating connectors from the JST Web site: [www.jst.com](http://www.jst.com).



**Note:** Unless otherwise specified, all references to the GPS 18x LVC also include the GPS 18x LVC-5m.



## 1.6 TECHNICAL SPECIFICATIONS

Specifications are subject to change without notice.

### 1.6.1 Physical Characteristics

#### 1.6.1.1 Size

61 mm (2.4 inches) in diameter and 19.5 mm (0.77 inches) in height

#### 1.6.1.2 Weight

- GPS 18x USB: 3.7 oz (105 g)
- GPS 18x PC: 6.3 oz (180 g)
- GPS 18x LVC-5m (5 meter cable): 5.6 oz (160 g)
- GPS 18x-5Hz (5 meter cable): 5.8 oz (165 g)

#### 1.6.1.3 Color

Black

#### 1.6.1.4 Case Material

Polycarbonate thermoplastic that is waterproof to IEC 60529 IPX7 level (immersion in 1 meter of water for 30 minutes)

#### 1.6.1.5 Cable Length

- GPS 18x USB: 2 meter
- GPS 18x PC: 2 meter
- GPS 18x LVC: 5 meter (Garmin Part Number 010-00321-36)
- GPS 18x-5Hz: 5 meter

### 1.6.2 Electrical Characteristics

#### 1.6.2.1 Input Voltage

- GPS 18x USB: 4.4–5.5 Vdc
- GPS 18x PC: 8–30 Vdc (Automotive supply from cigarette lighter jack)
- GPS 18x LVC: 4.0–5.5 Vdc
- GPS 18x-5Hz: 4.0–5.5 Vdc

#### 1.6.2.2 Input Current

- GPS 18x USB: 110 mA @ 5.0 Vdc
- GPS 18x PC: 65 mA @ 12 Vdc
- GPS 18x LVC: 90 mA @ 5.0 Vdc
- GPS 18x-5Hz: 100 mA @ 5.0 Vdc

#### 1.6.2.3 CMOS Serial Output Levels

- GPS 18x PC: 0 Vdc to 5 Vdc (Asynchronous Serial, TIA-232-F (RS-232) Compatible Polarity)
- GPS 18x LVC and GPS 18x-5Hz: 0 Vdc to  $V_{in}$ , between 4 and 5.5 Vdc (Asynchronous Serial, TIA-232-F (RS-232) Compatible Polarity)

#### 1.6.2.4 GPS Receiver Sensitivity

-185 dBW minimum

### 1.6.2.5 Environmental Characteristics

- Operating Temperature: -30°C to +80°C (-22°F to +176°F)
- Storage Temperature: -40°C to +90°C (-40°F to +194°F)

## 1.6.3 GPS Performance

### 1.6.3.1 Receiver

WAAS-enabled GPS receiver continuously tracks and uses multiple satellites to compute and update your position.

### 1.6.3.2 Acquisition Times

- Reacquisition: Less than 2 seconds
- Hot: Approx. 1 second (all data known)
- Warm: Approx. 38 seconds (initial position, time, and almanac known; ephemeris unknown)
- Cold: Approx. 45 seconds

### 1.6.3.3 Update Rate

- GPS 18x USB, PC, and LVC: 1 record per second
- GPS 18x-5Hz: 5 records per second

### 1.6.3.4 Accuracy

- GPS Standard Positioning Service (SPS)  
Position: < 15 meters, 95% typical  
Velocity: 0.1 knot RMS steady state
- WAAS  
Position: < 3 meters, 95% typical  
Velocity: 0.1 knot RMS steady state
- Measurement Pulse Output Time: ±1 microsecond at rising edge of the pulse
- Dynamics: 999 knots velocity (only limited at altitude greater than 60,000 feet), 2g dynamics

## 1.6.4 Interfaces

### 1.6.4.1 GPS 18x Electrical Characteristics

- GPS 18x USB: USB 2.0 full-speed protocol compatible, as well as USB 1.1 full-speed protocol.
- GPS 18x PC and LVC: TIA-232-F (RS-232) compatible asynchronous receiver. Default setting is 4800 baud.
- GPS 18x-5Hz: TIA-232-F (RS-232) compatible asynchronous receiver. Default setting is 19200 baud.

### 1.6.4.2 Garmin Interface and Garmin USB Protocol

Refer to the *Garmin Device Interface Specification* found in the Garmin Device Interface SDK for information about the Garmin Interface and the Garmin USB Protocol. At the time of this printing, this document is located on the Garmin Web site at [www.garmin.com/support/commProtocol.html](http://www.garmin.com/support/commProtocol.html).

See [Appendix B: Garmin Binary Output Format](#) for additional information concerning access to binary data from the GPS 18x USB.

#### 1.6.4.3 GPS 18x PC, GPS 18x LVC, & GPS 18x-5Hz Protocols

- NMEA 0183 Version 2.0 or NMEA 0183 Version 2.30 (Version 2.0 is factory default, programmable by data field 7 of the PGRMC1 sentence described in section [4.1.4 Additional Sensor Configuration Information \(PGRMC1\)](#)).
- Available NMEA 0183 output sentences include GPALM, GPGGA, GPGSA, GPGSV, GPRMC, GPVTG, GPGLL, PGRME, PGRMF, PGRMID, PGRMM, PGRMT, PGRMV, and PGRMB (Garmin proprietary sentences). See section [4.2 Transmitted NMEA 0183 Sentences](#) for format descriptions.
- Configuration and initialization is accomplished with NMEA 0183 input sentences. Allows initialization of information such as expected position, date, time, earth datum, and differential mode. See section [4.1 Received NMEA 0183 Sentences](#) for format descriptions.
- Configurable for binary data output.

#### 1.6.4.4 Measurement Pulse Output (GPS 18x LVC & GPS 18x-5Hz only)

- GPS 18x LVC: 1 Hz pulse with programmable width, configurable in 20 ms increments from 20 ms to 980 ms. See section [4.1.3 Sensor Configuration Information \(PGRMC\)](#) for details about configuring the Measurement Pulse Output (or PPS) feature.
- GPS 18x-5Hz: 5 Hz pulse synchronized with the time of fix. One of the five pulses will align with the UTC second boundary. The pulse width is programmable from 20 ms to 180 ms. The PGRMC sentence will indicate which pulse is at the top-of-the-second. See section [4.1.3 Sensor Configuration Information \(PGRMC\)](#) for details about configuring the Measurement Pulse Output (or PPS) feature.
- 1  $\mu$ s accuracy for all conditions in which the GPS 18x LVC or GPS 18x-5Hz has reported a valid and accurate position fix for at least the previous 4 seconds.

## 2 GPSX 18x LVC & GPS 18x -5Hz WIRING AND PINOUTS

The GPS 18x LVC/18x-5Hz interfaces to a serial port. The unit accepts TIA-232-F (RS-232) level inputs and transmits voltage levels from ground to the input voltage, TIA-232-F (RS-232) polarity.

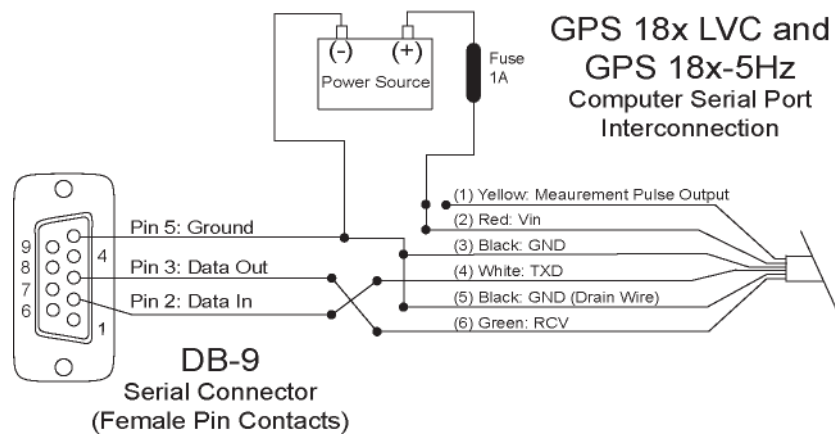
The GPS 18x LVC/18x-5Hz wires are terminated with a six-wire connector that is used by Garmin for testing purposes. You can remove this connector without voiding your warranty (see section [1.2 Limited Warranty](#)).

### 2.1 GPS 18x LVC & GPS 18x -5Hz PINOUT

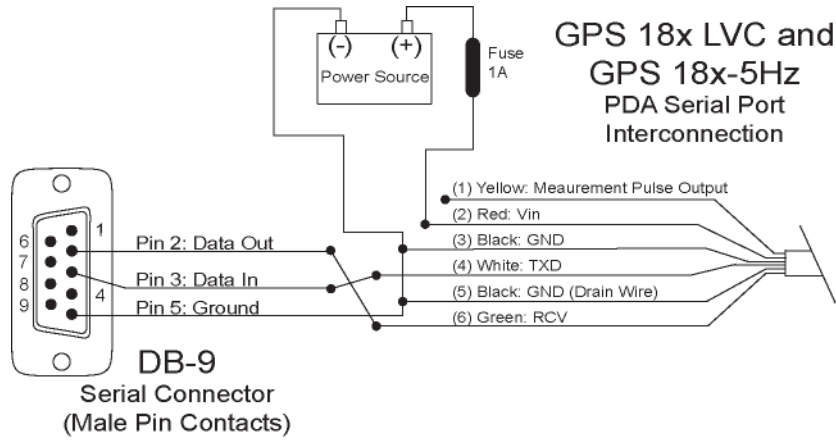
GPS 18x Pin #	Color	Signal Name	Wire Gauge
1	Yellow	Measurement Pulse Output	28
2	Red	Vin	26
3	Black	Ground	28
4	White	Transmit Data	28
5	Black	Ground	26
6	Green	Receive Data	28

**Table 1: GPS 18x LVC & GPS 18x-5Hz Wire Pinout**

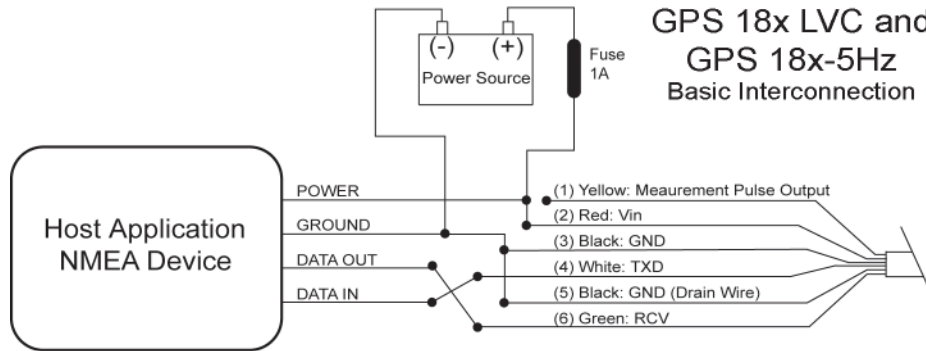
### 2.2 GPS 18x LVC & GPS 18x -5Hz WIRING DIAGRAMS



**Figure 1: Computer Serial Port Interconnection**



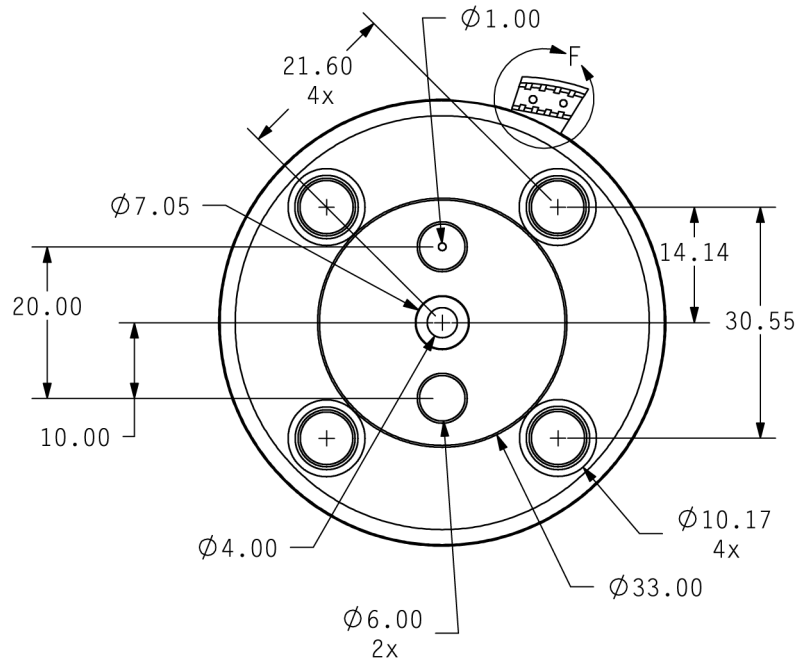
**Figure 2. PDA Serial Port Interconnection**



**Figure 3. Basic NMEA Device Interconnection**

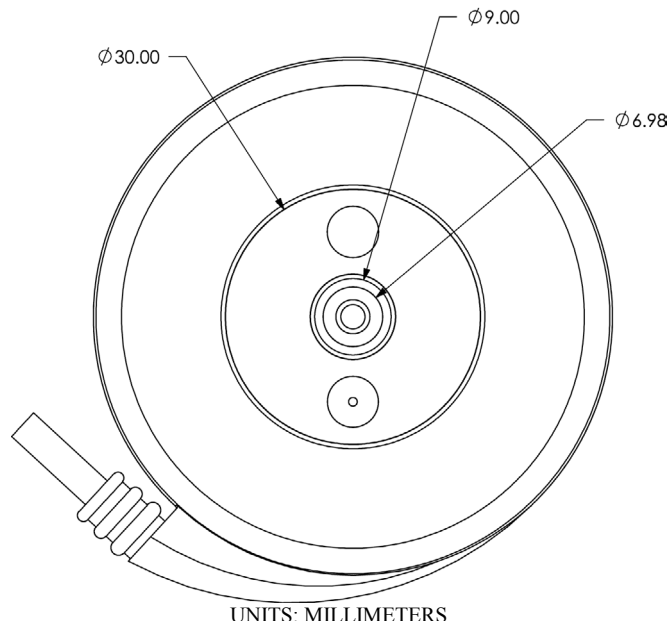
### 3 MECHANICAL CHARACTERISTICS & MOUNTING

The central threaded recess accepts a metric M3 threaded bolt. The recess is approximately 4 mm deep (4.32 +/- 0.08 mm). The following drawings show example geometries for mounting hardware in case you wish to design your own custom mount. Figure 5 shows mounting geometry for a mount formed from steel sheet metal that is 1.15 mm thick. Figure 7 shows similar mounting geometry for a mount formed from aluminum sheet metal that is 1.25 mm thick. Use caution when tightening the mounting bolt. Tightening the mounting bolt can cause the mount to pull tight directly against the metal insert, not against the plastic housing, which would tend to pull the insert out of the plastic. Figure 6 shows the dimensions of our GPS 18x Flush Mount, part number 010-10453-00.



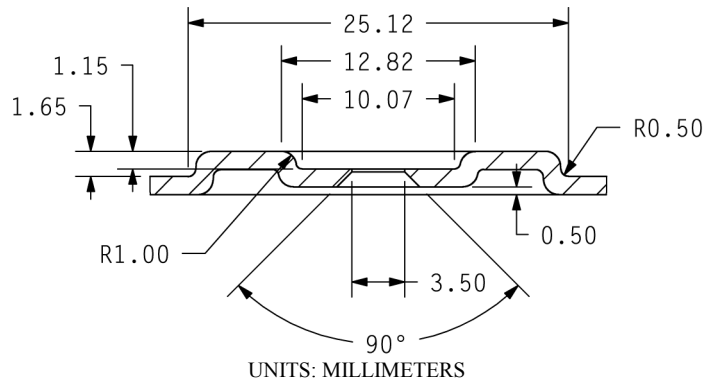
UNITS: MILLIMETERS

**Figure 4a. GPS 18x Bottom Case Dimensions, Under Mold**

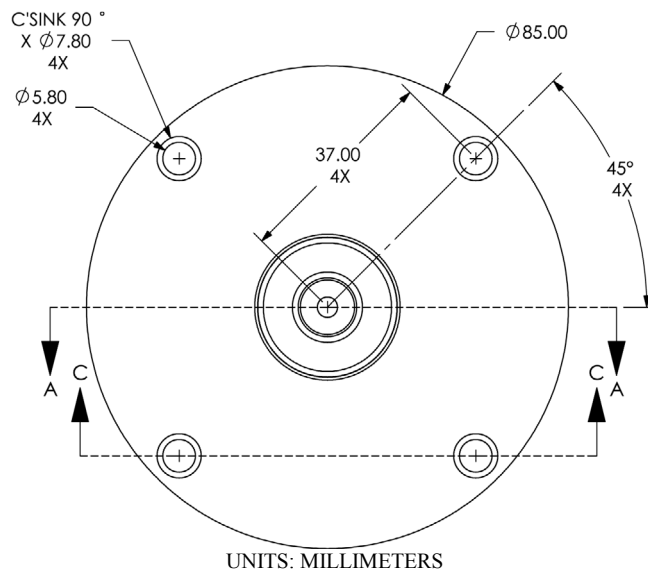


UNITS: MILLIMETERS

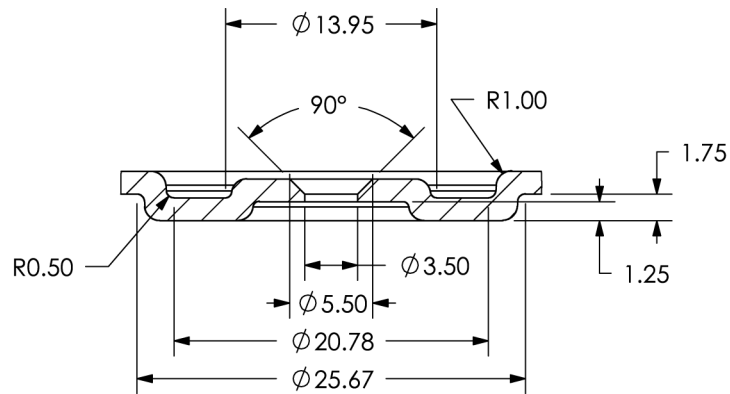
**Figure 4b. GPS 18x Bottom Case, Outside of Casing**



**Figure 5. GPS 18x Suction Cup Mount Center Hole Dimensions**



**Figure 6. GPS 18x Flush Mount Dimensions**



**Figure 7. GPS 18x Flush Mount Center Hole Dimensions**

## 4 GPS 18x PC, GPS 18x LVC, & GPS 18x-5Hz SOFTWARE INTERFACE

The interface protocol design of the GPS 18x PC, LVC, and GPS 18x-5Hz products is based on the National Marine Electronics Association's NMEA 0183 ASCII interface specification. This standard is fully defined in *NMEA 0183, Version 2.30*. Copies may be obtained from NMEA at [www.nmea.org](http://www.nmea.org).

In addition to the standard NMEA 0183 sentences, the GPS 18x PC, LVC, and GPS 18x-5Hz may also be configured to transmit information over their serial interface using NMEA 0183 compliant Garmin proprietary sentences. These proprietary sentences begin with the characters, "\$PGRM", instead of the characters "\$G" that are typical of the standard NMEA 0183 sentences. The characters "\$P" indicate that the sentence is a proprietary implementation and the characters "GRM" indicate that it is Garmin's proprietary sentence. The letter (or letters) that follow the characters "\$PGRM" uniquely identifies that particular Garmin proprietary sentence.

It is also possible to configure the GPS 18x PC, LVC, and GPS 18x-5Hz to transmit binary data information over their serial interface. See [Appendix B: Garmin Binary Output Format](#) for details.

The GPS 18x USB does not transmit NMEA sentences: It transmits using the Garmin USB interface. The Garmin USB interface is discussed in the *Garmin Device Interface Specification* found in the Garmin Device Interface SDK located on the Garmin Web site at: [www.garmin.com/support/commProtocol.html](http://www.garmin.com/support/commProtocol.html).

You can configure the GPS 18x USB to transmit binary data information over the USB interface. Refer to [Appendix B: Garmin Binary Output Format](#).

The following sections describe the NMEA 0183 data format of each sentence transmitted and received by the GPS 18x PC, LVC, and GPS 18x-5Hz products.

### 4.1 RECEIVED NMEA 0183 SENTENCES

The following paragraphs define the sentences that can be received on the GPS sensors' port. Null fields in the configuration sentence indicate no change in the particular configuration parameter. All sentences received by the GPS sensor must be terminated with <CR><LF>, the ASCII characters for carriage return (0D hexadecimal) and line feed (0A hexadecimal). The checksum \*hh is used for parity checking data and is not required, but is recommended for use in environments containing high electromagnetic noise. It is generally not required in normal PC environments. When used, the parity bytes (hh) are the ASCII representation of the exclusive-or (XOR) sum of all the characters between the "\$" and "\*" characters, non-inclusive. The hex representation must be a capital letter, such as 3D instead of 3d. Sentences may be truncated by <CR><LF> after any data field and valid fields up to that point will be acted on by the sensor.

#### 4.1.1 Almanac Information (ALM)

The \$GPALM sentence can be used to initialize the GPS sensor's stored almanac information in the unlikely event of non-volatile memory loss or after storing longer than six months without tracking GPS satellites.

\$GPALM,<1>,<2>,<3>,<4>,<5>,<6>,<7>,<8>,<9>,<10>,<11>,<12>,<13>,<14>,<15>\*hh<CR><LF>

<1>	Total number of ALM sentences to be transmitted by the GPS sensor during almanac download. This field can be null or any number when sending almanac to the GPS sensor.
<2>	Number of current ALM sentence. This field can be null or any number when sending almanac to the GPS sensor.
<3>	Satellite PRN number, 01 to 32
<4>	GPS week number
<5>	SV health, bits 17–24 of each almanac page
<6>	Eccentricity
<7>	Almanac reference time
<8>	Inclination angle
<9>	Rate of right ascension
<10>	Root of semi major axis
<11>	Omega, argument of perigee
<12>	Longitude of ascension node
<13>	Mean anomaly
<14>	af0 clock parameter
<15>	af1 clock parameter



### 4.1.2 Sensor Initialization Information (PGRMI)

The \$PGRMI sentence provides information used to initialize the GPS sensor's set position and time used for satellite acquisition. Receipt of this sentence by the GPS sensor causes the software to restart the satellite acquisition process. If there are no errors in the sentence, it will be echoed upon receipt. If an error is detected, the echoed PGRMI sentence will contain the current default values. Current PGRMI defaults (with the exception of the Receiver Command, which is a command rather than a mode) can also be obtained by sending \$PGRMIE to the GPS sensor.

\$PGRMI,<1>,<2>,<3>,<4>,<5>,<6>,<7>\*hh<CR><LF>

<1>	Latitude, ddmm.mmm format for GPS 18x PC/LVC; ddmm.mmmmm format for GPS 18x-5Hz (leading zeros must be transmitted)
<2>	Latitude hemisphere, N or S
<3>	Longitude, ddmm.mmm format for GPS 18x PC/LVC; ddmm.mmmmm format for GPS 18x-5Hz (leading zeros must be transmitted)
<4>	Longitude hemisphere, E or W
<5>	Current UTC date, ddmmyy format
<6>	Current UTC time, hhmmss format for GPS 18x PC/LVC; hhmmss.s format for GPS 18x-5Hz
<7>	Receiver Command, A = Cold Start, R = Unit Reset

### 4.1.3 Sensor Configuration Information (PGRMC)

The \$PGRMC sentence provides information used to configure the GPS sensor's operation. Configuration parameters are stored in non-volatile memory and retained between power cycles. The GPS sensor will echo this sentence upon its receipt if no errors are detected. If an error is detected, the echoed PGRMC sentence will contain the current default values. Current default values can also be obtained by sending \$PGRMCE to the GPS sensor.

\$PGRMC,<1>,<2>,<3>,<4>,<5>,<6>,<7>,<8>,<9>,<10>,<11>,<12>,<13>,<14>\*hh<CR><LF>

<1>	Fix mode, A = Automatic, 3 = 3D exclusively
<2>	Altitude above/below mean sea level, -1500.0 to 18000.0 meters
<3>	Earth datum index. If the user datum index (96) is specified, fields <4> through <8> must contain valid values. Otherwise, fields <4> through <8> must be null. Refer to Appendix A: Earth Datum List for a list of earth datum and the corresponding earth datum index.
<4>	User earth datum semi-major axis, 6360000.000 to 6380000.000 meters (.001 meters resolution)
<5>	User earth datum inverse flattening factor, 285.0 to 310.0 (10 <sup>-9</sup> resolution)
<6>	User earth datum delta x earth centered coordinate, -5000.0 to 5000.0 meters (1 meter resolution)
<7>	User earth datum delta y earth centered coordinate, -5000.0 to 5000.0 meters (1 meter resolution)
<8>	User earth datum delta z earth centered coordinate, -5000.0 to 5000.0 meters (1 meter resolution)
<9>	Differential mode, A = Automatic (output DGPS data when available, non-DGPS otherwise), D = Differential exclusively (output only differential fixes)
<10>	NMEA 0183 Baud rate, 3 = 4800, 4 = 9600, 5 = 19200, 8 = 38400 (for GPS 18x-5Hz only)
<11>	No Effect (This field is not used on this model and is included only for backwards compatibility)
<12>	Measurement Pulse Output, 1 = Disabled, 2 = Enabled
<13>	Measurement Pulse Output pulse length, (n+1)*20 ms For 18 LVC/PC n = 0 through 48 (max. 980 ms) For GPS 18x-5Hz n = 0 through 8 (max. 180 ms) Example: n = 4 corresponds to a 100 ms wide pulse
<14>	Dead reckoning valid time 1 to 30 sec. for the GPS 18x PC/LVC or 0.2 to 30.0 sec. for the GPS 18x-5Hz

All configuration changes take effect after receipt of a valid value except baud rate and Measurement Pulse Output mode. Baud rate and Measurement Pulse Output mode changes take effect on the next power cycle or an external reset event.

#### 4.1.4 Additional Sensor Configuration Information (PGRMC1)

The \$PGRMC1 sentence provides additional information used to configure the GPS sensor operation. Configuration parameters are stored in non-volatile memory and retained between power cycles. The GPS sensor will echo this sentence upon its receipt if no errors are detected. If an error is detected, the echoed PGRMC1 sentence will contain the current default values. Current default values can also be obtained by sending \$PGRMC1E to the GPS sensor.

\$PGRMC1,<1>,<2>,<3>,<4>,<5>,<6>,<7>,<8>,<9>,<10>,<11>,<12>,<13>,<14>,<15>\*hh<CR><LF>

<1>	NMEA 0183 output time 1 to 900 (sec). Not applicable to GPS 18x-5Hz, which always outputs data at 5 Hz (200 ms)
<2>	Binary Output Data, 1 = Off, 2 = On.
<3>	No Effect (This field is not used on this model and is included only for backwards compatibility)
<4>	No Effect (DGPS beacon frequency: 0.0, 283.5 to 325.0 kHz in 0.5 kHz steps)
<5>	No Effect (DGPS beacon bit rate: 0, 25, 50, 100, or 200 bps)
<6>	No Effect (DGPS beacon scanning, 1 = Off, 2 = On)
<7>	NMEA 0183 version 2.30 mode indicator, 1 = Off, 2 = On
<8>	DGPS WAAS mode, W = WAAS Enabled, N = WAAS Disabled
<9>	Power Save Mode, P = Power Save mode, N = Normal
<10>	No Effect (This field is not used on this model and is included only for backwards compatibility)
<11>	No Effect (This field is not used on this model and is included only for backwards compatibility)
<12>	No Effect (This field is not used on this model and is included only for backwards compatibility)
<13>	Measurement Pulse Output Auto Off Mode, 1 = Off, 2 = On
<14>	No Effect (This field is not used on this model and is included only for backwards compatibility)
<15>	Low Velocity Threshold , 1 = Off, 2 = On

Configuration changes take effect immediately, with the exception of Binary Output Data, which takes effect on the next power cycle or a reset event. Send the sentence "\$PGRMI,,,,,,R" to command a reset (refer to section [4.1.2 Sensor Initialization Information \(PGRMI\)](#)). If the GPS sensor is in the Binary data mode, it is necessary to send the following eight-byte data stream to temporarily change the data format to NMEA 0183. Then follow by sending a PGRMC1 sentence that turns off the Binary Output Data format:

10 0A 02 26 00 CE 10 03 (Hexadecimal)

#### 4.1.5 Output Sentence Enable/Disable (PGRMO)

The \$PGRMO sentence provides the ability to enable and disable specific output sentences. The following sentences are enabled at the factory for the GPS 18x PC and LVC: GPGLA, GPGLSA, GPGLSV, GPRMC, and PGRMT.

The following sentences are enabled at the factory for the GPS 18x-5Hz: GPGLA, GPGLSA, GPRMC, GPVTG, and PGRMT.

\$PGRMO,<1>,<2>\*hh<CR><LF>

<1>	Target sentence description (for example, PGRMT, GPGLSV, etc.)
<2>	Target sentence mode, where 0 = Disable specified sentence, 1 = enable specified sentence, 2 = Disable all output sentences, 3 = Enable all output sentences (except GPALM), 4 = Restore factory default output sentences

The following notes apply to the PGRMO input sentence:

If the target sentence mode is "2" (Disable all), "3" (Enable all), or "4" (Restore defaults), the target sentence description is not checked for validity. In this case, an empty field is allowed (for example, \$PGRMO,,3), or the mode field may contain from 1 to 5 characters.

If the target sentence mode is "0" (Disable) or "1" (Enable), the target sentence description field must be an identifier for one of the sentences that can be output by the GPS sensor.

If either the target sentence mode field or the target sentence description field is not valid, the PGRMO sentence will have no effect.

\$PGRMO,GPALM,1 will cause the GPS sensor to transmit all stored almanac information. All other NMEA 0183 sentence transmission will be suspended temporarily.

\$PGRMO,G will cause the COM port to change to Garmin Data Transfer format for the duration of the power cycle. The Garmin mode is required for GPS 18x series product software updates.

## 4.2 TRANSMITTED NMEA 0183 SENTENCES

The subsequent paragraphs define the sentences that can be transmitted by the GPS 18x PC and LVC.

### 4.2.1 Sentence Transmission Rate

Sentences are transmitted with respect to the user selected baud rate.

The GPS sensor will transmit each sentence (except where noted in particular transmitted sentence descriptions) at a periodic rate based on the user selected baud rate and user selected output sentences. The GPS sensor will transmit the selected sentences contiguously. The length of the transmission can be determined by the following equation and Tables 2 and 3:

$$\text{length of transmission} = \frac{\text{total characters to be transmitted}}{\text{characters transmitted per second}}$$

Sentence	Output by Default?	Maximum Characters
GPRMC	✓	74
GPGGA	✓	82
GPGLL	✓	66
GPGSV	✓ (PC and LVC only)	70
PGRME		35
GPVDM		44
GPVTG	✓ (18x-5Hz)	42
PGRMV		32
PGRMF		82
PGRMB		40
PGRMID		82
PGRMM		
PGRMT	Once per minute	50

**Table 2: NMEA 0183 Output Sentence Order and Size**

Baud	Characters per Second
4800	480
9600	960
19200	1920
38400	3840

**Table 3: Characters per Second for Available Baud Rates**

The maximum number of fields allowed in a single sentence is 82 characters including delimiters. Values in the table include the sentence start delimiter character "\$" and the termination delimiter <CR><LF>. For the GPS 18x PC and LVC, the factory set defaults result in a once per second transmission at the NMEA 0183 specification transmission rate of 4800 baud. For the GPS 18x-5Hz, the factory set defaults will result in a five times per second transmission at 19200 baud.

For the GPS 18x LVC: Regardless of the selected baud rate, the information transmitted by the GPS sensor is referenced to the one-pulse-per-second output pulse immediately preceding the GPRMC sentence, or whichever sentence is output first in the burst (see Table 2 above).

For the GPS 18x-5Hz: Regardless of the selected baud rate, the information transmitted by the GPS sensor is referenced to the preceding five-times-per-second output pulse.

The GPS 18x USB can use Spanner (an application that can provide NMEA output via a virtual COM port) to receive the same default NMEA sentences as the GPS 18x PC and LVC at a rate of once per second. Spanner is available for free on the Garmin web site. To download the software, start at [www.garmin.com/oem](http://www.garmin.com/oem), select the GPS 18x USB, and then select **Updates & Downloads**.

## 4.2.2 Transmitted Time

The GPS sensor outputs Coordinated Universal Time (UTC) date and time of day in the transmitted sentences. Before the initial position fix, the on-board clock provides the date and time of day. After the initial position fix, the date and time of day are calculated using GPS satellite information and are synchronized with the measurement pulse output.

The GPS 18x-5Hz outputs a UTC with a tenths-of-a-second precision: 123456.8, for example.

The GPS sensor uses information obtained from the GPS satellites to add or delete UTC leap seconds and correct the transmitted date and time of day. The transmitted date and time of day for leap second correction follow the guidelines in “*National Institute of Standards and Technology Special Publication 432 (Revised 1990)*” (for sale by the Superintendent of Documents, U.S. Government Printing Office, Washington, D.C., 20402, U.S.A.).

When a positive leap second is required, one second is inserted at the beginning of the first hour (0h 0m 0s) of the day that the positive leap is occurring. The minute containing the leap second is 61 seconds long. The GPS sensor would have transmitted this information for the leap second added December 31, 1998 as follows:

```
$GPRMC,235959,A,3851.3651,N,09447.9382,W,000.0,221.9,071103,003.3,E*69
```

```
$GPRMC,000000,A,3851.3651,N,09447.9382,W,000.0,221.9,081103,003.3,E*67
```

```
$GPRMC,000000,A,3851.3651,N,09447.9382,W,000.0,221.9,081103,003.3,E*67
```

```
$GPRMC,000001,A,3851.3651,N,09447.9382,W,000.0,221.9,081103,003.3,E*66
```

If a negative leap second should be required, one second will be deleted at the end of some UTC month. The minute containing the leap second will be only 59 seconds long. In this case, the GPS sensor will not transmit the time of day 0h 0m 0s (the “zero” second) for the day from which the leap second is removed.

```
$GPRMC,235959,A,3851.3650,N,09447.9373,W,000.0,000.0,111103,003.3,E*69
```

```
$GPRMC,000001,A,3851.3650,N,09447.9373,W,000.0,000.0,121103,003.3,E*6A
```

```
$GPRMC,000002,A,3851.3650,N,09447.9373,W,000.0,000.0,121103,003.3,E*69
```

## 4.2.3 Global Positioning System Almanac Data (ALM)

Almanac sentences are not normally transmitted. Send the GPS sensor a \$PGRMO,GPALM,1 command to initiate almanac transmission. Upon receipt of this command, the GPS sensor will transmit available almanac information on GPALM sentences. During the transmission of almanac sentences, other NMEA 0183 data output is suspended temporarily.

```
$GPALM,<1>,<2>,<3>,<4>,<5>,<6>,<7>,<8>,<9>,<10>,<11>,<12>,<13>,<14>,<15>*hh<CR><LF>
```

<field information> can be found in section [4.1.1 Almanac Information \(ALM\)](#).

#### 4.2.4 Global Positioning System Fix Data (GGA)

\$GPGGA,<1>,<2>,<3>,<4>,<5>,<6>,<7>,<8>,<9>,M,<10>,M,<11>,<12>\*hh<CR><LF>

<1>	UTC time of position fix, hhmmss format for GPS 18x PC or LVC; hhmmss.s format for GPS 18x-5Hz
<2>	Latitude, ddmm.mmmm format for GPS 18x PC/LVC; ddmm.mmmmm for GPS 18x-5Hz (leading zeros will be transmitted)
<3>	Latitude hemisphere, N or S
<4>	Longitude, dddmm.mmmm format for GPS 18x PC/LVC; dddmm.mmmmm for GPS 18x-5Hz (leading zeros will be transmitted)
<5>	Longitude hemisphere, E or W
<6>	GPS quality indication, 0 = fix not available, 1 = Non-differential GPS fix available, 2 = Differential GPS (WAAS) fix available, 6 = Estimated
<7>	Number of satellites in use, 00 to 12 (leading zeros will be transmitted)
<8>	Horizontal dilution of precision, 0.5 to 99.9
<9>	Antenna height above/below mean sea level, -9999.9 to 99999.9 meters
<10>	Geoidal height, -999.9 to 9999.9 meters
<11>	Null (Differential GPS)
<12>	Null (Differential Reference Station ID)

#### 4.2.5 GPS DOP and Active Satellites (GSA)

\$GPGSA,<1>,<2>,<3>,<3>,<3>,<3>,<3>,<3>,<3>,<3>,<3>,<3>,<3>,<3>,<4>,<5>,<6>\*hh<CR><LF>

<1>	Mode, M = Manual, A = Automatic
<2>	Fix type, 1 = not available, 2 = 2D, 3 = 3D
<3>	PRN number, 01 to 32, of satellite used in solution, up to 12 transmitted (leading zeros will be transmitted)
<4>	Position dilution of precision, 0.5 to 99.9
<5>	Horizontal dilution of precision, 0.5 to 99.9
<6>	Vertical dilution of precision, 0.5 to 99.9

#### 4.2.6 GPS Satellites in View (GSV)

\$GPGSV,<1>,<2>,<3>,<4>,<5>,<6>,<7>,...<4>,<5>,<6>,<7>\*hh<CR><LF>

<1>	Total number of GSV sentences to be transmitted
<2>	Number of current GSV sentence
<3>	Total number of satellites in view, 00 to 12 (leading zeros will be transmitted)
<4>	Satellite PRN number, 01 to 32 (leading zeros will be transmitted)
<5>	Satellite elevation, 00 to 90 degrees (leading zeros will be transmitted)
<6>	Satellite azimuth, 000 to 359 degrees, true (leading zeros will be transmitted)
<7>	Signal to noise ratio (C/No) 00 to 99 dB (leading zeros will be transmitted)

**Note:** Items <4>,<5>,<6>, and <7> repeat for each satellite in view to a maximum of four (4) satellites per sentence. Additional satellites in view information must be sent in subsequent bursts of NMEA 0183 data. These fields will be null if unused.

#### 4.2.7 Recommended Minimum Specific GPS/TRANSIT Data (RMC)

\$GPRMC,<1>,<2>,<3>,<4>,<5>,<6>,<7>,<8>,<9>,<10>,<11>,<12>\*hh<CR><LF>

<1>	UTC time of position fix, hhmmss format for GPS 18x PC/LVC; hhmmss.s format for GPS 18x-5Hz
<2>	Status, A = Valid position, V = NAV receiver warning
<3>	Latitude, ddmm.mmmm format for GPS 18x PC/LVC; ddmm.mmmmm format for GPS 18x-5Hz (leading zeros must be transmitted)
<4>	Latitude hemisphere, N or S
<5>	Longitude, dddmm.mmmm format for GPS 18x PC/LVC; dddmm.mmmmm format for GPS 18x-5Hz (leading zeros must be transmitted)
<6>	Longitude hemisphere, E or W
<7>	Speed over ground, GPS 18x PC and LVC: 000.0 to 999.9 knots, GPS 18x-5Hz: 000.00 to 999.99 knots (leading zeros will be transmitted)
<8>	Course over ground, 000.0 to 359.9 degrees, true (leading zeros will be transmitted)
<9>	UTC date of position fix, ddmmyy format
<10>	Magnetic variation, 000.0 to 180.0 degrees (leading zeros will be transmitted)
<11>	Magnetic variation direction, E or W (westerly variation adds to true course)
<12>	Mode indicator (only output if NMEA 0183 version 2.30 active), A = Autonomous, D = Differential, E = Estimated, N = Data not valid

#### 4.2.8 Track Made Good and Ground Speed (VTG)

\$GPVTG,<1>,T,<2>,M,<3>,N,<4>,K,<5>\*hh<CR><LF>

<1>	True course over ground, GPS 18x PC and LVC: 000 to 359 degrees, GPS 18x-5Hz: 000.0 to 359.9 degrees(leading zeros will be transmitted)
<2>	Magnetic course over ground, 000 to 359 degrees, GPS 18x-5Hz: 000.0 to 359.9 degrees(leading zeros will be transmitted)
<3>	Speed over ground, GPS 18x PC and LVC: 000.0 to 999.9 knots, GPS 18x-5Hz: 000.00 to 999.99 knots (leading zeros will be transmitted)
<4>	Speed over ground, GPS 18x PC and LVC: 0000.0 to 1851.8 kilometers per hour, GPS 18x-5Hz: 0000.00 to 1851.89 (leading zeros will be transmitted)
<5>	Mode indicator (only output if NMEA 0183 version 2.30 active), A = Autonomous, D = Differential, E = Estimated, N = Data not valid

#### 4.2.9 Geographic Position (GLL)

\$GPGLL,<1>,<2>,<3>,<4>,<5>,<6>,<7>\*hh<CR><LF>

<1>	Latitude, ddmm.mmmm format for GPS 18x PC/LVC; ddmm.mmmmm format for GPS 18x-5Hz (leading zeros must be transmitted)
<2>	Latitude hemisphere, N or S
<3>	Longitude, dddmm.mmmm format for GPS 18x PC/LVC; dddmm.mmmmm format for GPS 18x-5Hz (leading zeros must be transmitted)
<4>	Longitude hemisphere, E or W
<5>	UTC time of position fix, hhmmss format for GPS 18x PC/LVC; hhmmss.s format for GPS 18x-5Hz
<6>	Status, A = Valid position, V = NAV receiver warning
<7>	Mode indicator (only output if NMEA 0183 version 2.30 active), A = Autonomous, D = Differential (WAAS), E = Estimated, N = Data not valid

#### 4.2.10 Estimated Error Information (PGRME)

\$PGRME,<1>,M,<2>,M,<3>,M\*hh<CR><LF>

<1>	Estimated horizontal position error (HPE), 0.0 to 999.9 meters
<2>	Estimated vertical position error (VPE), 0.0 to 999.9 meters
<3>	Estimated position error (EPE), 0.0 to 999.9 meters

#### 4.2.11 GPS Fix Data Sentence (PGRMF)

\$PGRMF,<1>,<2>,<3>,<4>,<5>,<6>,<7>,<8>,<9>,<10>,<11>,<12>,<13>,<14>,<15>\*hh<CR><LF>

<1>	GPS week number (0 to 1023)
<2>	GPS seconds (0 to 604799)
<3>	UTC date of position fix, ddmmyy format
<4>	UTC time of position fix, hhmmss format for GPS 18x PC/LVC; hhmmss.s format for GPS 18x-5Hz
<5>	GPS leap second count
<6>	Latitude, ddmm.mmmm format for GPS 18x PC/LVC; ddmm.mmmmm format for GPS 18x-5Hz (leading zeros must be transmitted)
<7>	Latitude hemisphere, N or S
<8>	Longitude, dddmm.mmmm format for GPS 18x PC/LVC; dddmm.mmmmm format for GPS 18x-5Hz (leading zeros must be transmitted)
<9>	Longitude hemisphere, E or W
<10>	Mode, M = Manual, A = Automatic
<11>	Fix type, 0 = no fix, 1 = 2D fix, 2 = 3D fix
<12>	Speed over ground, 0 to 1851 kilometers/hour
<13>	Course over ground, 0 to 359 degrees, true
<14>	Position dilution of precision, 0 to 9 (rounded to nearest integer value)
<15>	Time dilution of precision, 0 to 9 (rounded to nearest integer value)

#### 4.2.12 Programmable Device ID (PGRMID)

The Garmin Proprietary sentence \$PGRMID gives the device owner the flexibility of naming each sensor device with a custom text value.

\$PGRMID,<1>,<2>,<3>\*hh<CR><LF>

<1>	ID Configuration Command, S = Set ID, C = Clear ID, E = Echo ID
<2>	User Defined ID (Maximum number of characters = 58)
<3>	Garmin Unit ID (Predefined and unique to each device)

#### 4.2.13 Map Datum (PGRMM)

The Garmin Proprietary sentence \$PGRMM gives the name of the map datum currently in use by the GPS sensor. This information is used by the Garmin MapSource real-time plotting application.

\$PGRMM,<1>\*hh<CR><LF>

<1>	Name of map datum currently in use (variable length field, for example, "WGS 84")
-----	---

#### 4.2.14 Sensor Status Information (PGRMT)

The Garmin Proprietary sentence \$PGRMT gives information concerning the status of the GPS sensor. This sentence is transmitted once per minute regardless of the selected baud rate.

\$PGRMT,<1>,<2>,<3>,<4>,<5>,<6>,<7>,<8>,<9>\*hh<CR><LF>

<1>	Product, model and software version (variable length field, for example, "GPS 18x VER 2.05")
<2>	No Effect (This field is not used on this model and is included only for backwards compatibility)
<3>	No Effect (This field is not used on this model and is included only for backwards compatibility)
<4>	No Effect (This field is not used on this model and is included only for backwards compatibility)
<5>	No Effect (This field is not used on this model and is included only for backwards compatibility)
<6>	No Effect (This field is not used on this model and is included only for backwards compatibility)
<7>	No Effect (This field is not used on this model and is included only for backwards compatibility)
<8>	No Effect (This field is not used on this model and is included only for backwards compatibility)
<9>	No Effect (This field is not used on this model and is included only for backwards compatibility)

#### 4.2.15 3D Velocity Information (PGRMV)

\$PGRMV,<1>,<2>,<3>\*hh<CR><LF>

<1>	True east velocity, -514.4 to 514.4 meters/second for GPS 18x PC/LVC; -514.44 to 514.44 for GPS 18x-5Hz
<2>	True north velocity, -514.4 to 514.4 meters/second for GPS 18x PC/LVC; -514.44 to 514.44 for GPS 18x-5Hz
<3>	Up velocity, -999.9 to 999.9 meters/second for GPS 18x PC/LVC; -999.99 to 999.99 for GPS 18x-5Hz

#### 4.2.16 DGPS Beacon Information (PGRMB)

**Note:** The GPS 18x products do not support PGRMB at this time.

\$PGRMB,<1>,<2>,<3>,<4>,<5>,K,<6>,<7>,<8>\*hh<CR><LF>

<1>	No Effect (This field is not used on this model and is included only for backwards compatibility)
<2>	No Effect (This field is not used on this model and is included only for backwards compatibility)
<3>	No Effect (This field is not used on this model and is included only for backwards compatibility)
<4>	No Effect (This field is not used on this model and is included only for backwards compatibility)
<5>	Distance to beacon reference station in kilometers
<6>	No Effect (This field is not used on this model and is included only for backwards compatibility)
<7>	DGPS fix source (R = RTCM, W = WAAS, N = Non-DGPS Fix)
<8>	DGPS mode, A = Automatic, W = WAAS Only, R = RTCM Only, N = None (DGPS disabled)

### 4.3 BAUD RATE SELECTION

Baud rate selection can be performed by sending the appropriate configuration sentence to the GPS sensor as described in the \$PGRMC section [4.1.2 Sensor Initialization Information \(PGRMI\)](#), field <10>.

### 4.4 MEASUREMENT PULSE OUTPUT (GPS 18x LVC & 18x-5Hz ONLY)

#### 4.4.1 One-Pulse-Per-Second (PPS) Output (GPS 18x LVC Only)

The highly accurate one-pulse-per-second (PPS) output is provided for applications requiring precise timing measurements. After the initial position fix has been calculated, the PPS signal is generated and continues until the unit is powered down. The rising edge of the signal is aligned to the start of each GPS second within 1  $\mu$ s for all conditions in which the receiver has reported a valid and accurate position for at least the previous 4 seconds.

The NMEA 0183 sentences that follow each rising edge of the PPS signal tell when you were and where you were at that previous rising edge of the PPS signal, beginning with the GPRMC sentence as the lead sentence in any particular NMEA 0183 record.

Regardless of the selected baud rate, the information transmitted by the GPS 18x series products is referenced to the pulse immediately preceding the NMEA 0183 RMC sentence.

The accuracy of the one-pulse-per-second output is maintained only while the GPS receiver is computing a valid position fix. To obtain the most accurate results, the one-pulse-per-second output should be calibrated against a local time reference to compensate for cable and internal receiver delays and the local time bias.

The default pulse width is 100 ms, however; it may be programmed in 20 ms increments between 20 ms and 980 ms as described in \$PGRMC section [4.1.2 Sensor Initialization Information \(PGRMI\)](#), field <13>.

#### 4.4.2 Five-Pulse-Per-Second Output (GPS 18x-5Hz Only)

The highly accurate five-pulse-per-second output is provided for applications requiring precise timing measurements. After the initial position fix has been calculated, the GPS 18x-5Hz generates the pulse signal, which continues until power down. The rising edge of the signal is aligned to the start of each GPS second within 1  $\mu$ s for all conditions in which the receiver has reported a valid and accurate position for at least the previous 4 seconds.

The NMEA 0183 sentences that follow each rising edge of the Measurement Pulse Output signal tell when and where you were at that previous rising edge of the Measurement Pulse Output signal, beginning with the GPRMC sentence as the lead sentence in any particular NMEA 0183 record.

Regardless of the selected baud rate, the information transmitted by the GPS 18x-5Hz is referenced to the preceding five times per-second output pulse.



The accuracy of the five-pulse-per-second output is maintained only while the GPS 18x-5Hz can compute a valid position fix. To obtain the most accurate results, the five-pulse-per-second output should be calibrated against a local time reference to compensate for cable and internal receiver delays and the local time bias.

The default pulse width is 100 ms, however; it may be programmed in 20 ms increments between 20 ms and 180 ms as described in \$PGRMC section [4.1.2 Sensor Initialization Information \(PGRMI\)](#), field <13>.

## **APPENDIX A: EARTH DATUM LIST**

The following is a list of the Garmin GPS 18x Earth datum indices and the corresponding earth datum name (including the area of application):

0	ADINDAN–Ethiopia, Mali, Senegal, Sudan
9	AUSTRALIAN GEODETIC 1984–Australia, Tasmania Island
10	ASTRO DOS 71/4–St. Helena Island
11	ASTRONOMIC STATION 1952–Marcus Island
12	ASTRO B4 SOROL ATOLL–Tern Island
13	BELLEVUE (IGN)–Efate and Erromango Islands
14	BERMUDA 1957–Bermuda Islands
15	BOGOTA OBSERVATORY–Colombia
16	CAMPO INCHAUSPE–Argentina
17	CANTON ASTRO 1966–Phoenix Islands
18	CAPE CANAVERAL–Florida, Bahama Islands
19	CAPE–South Africa
20	CARTHAGE–Tunisia
21	CHATHAM 1971–Chatham Island (New Zealand)
22	CHUA ASTRO–Paraguay
23	CORREGO ALEGRE–Brazil
24	DJAKARTA (BATAVIA)–Sumatra Island (Indonesia)
25	DOS 1968–Gizo Island (New Georgia Islands)
26	EASTER ISLAND 1967–Easter Island
27	EUROPEAN 1950–Austria, Belgium, Denmark, Finland, France, Germany, Gibraltar, Greece, Italy, Luxembourg, Netherlands, Norway, Portugal, Spain, Sweden, Switzerland
28	EUROPEAN 1979–Austria, Finland, Netherlands, Norway, Spain, Sweden, Switzerland
29	FINLAND HAYFORD 1910–Finland
30	GANDAJIKA BASE–Republic of Maldives
31	GEODETIC DATUM 1949–New Zealand
32	ORDNANCE SURVEY OF GREAT BRITAIN 1936–England, Isle of Man, Scotland, Shetland Islands, Wales
33	GUAM 1963–Guam Island
34	GUX 1 ASTRO–Guadalcanal Island
35	HJORSEY 1955–Iceland
36	HONG KONG 1963–Hong Kong
37	INDIAN–Bangladesh, India, Nepal
38	INDIAN–Thailand, Vietnam
39	IRELAND 1965–Ireland
40	ISTS O73 ASTRO 1969–Diego Garcia
41	JOHNSTON ISLAND 1961–Johnston Island
42	KANDAWALA–Sri Lanka
43	KERGUELEN ISLAND–Kerguelen Island

- 44 KERTAU 1948–West Malaysia, Singapore
- 45 L.C. 5 ASTRO–Cayman Brac Island
- 46 LIBERIA 1964–Liberia
- 47 LUZON–Mindanao Island
- 48 LUZON–Phillippines (excluding Mindanao Island)
- 49 MAHE 1971–Mahe Island
- 50 MARCO ASTRO–Salvage Islands
- 51 MASSAWA–Eritrea (Ethiopia)
- 52 MERCHICH–Morocco
- 53 MIDWAY ASTRO 1961–Midway Island
- 54 MINNA–Nigeria
- 55 NORTH AMERICAN 1927–Alaska
- 56 NORTH AMERICAN 1927–Bahamas (excluding San Salvador Island)
- 57 NORTH AMERICAN 1927–Central America (Belize, Costa Rica, El Salvador, Guatemala, Honduras, Nicaragua)
- 58 NORTH AMERICAN 1927–Canal Zone
- 59 NORTH AMERICAN 1927–Canada (including Newfoundland Island)
- 60 NORTH AMERICAN 1927–Caribbean (Barbados, Caicos Islands, Cuba, Dominican Republic, Grand Cayman, Jamaica, Leeward Islands, Turks Islands)
- 61 NORTH AMERICAN 1927–Mean Value (CONUS)
- 62 NORTH AMERICAN 1927–Cuba
- 63 NORTH AMERICAN 1927–Greenland (Hayes Peninsula)
- 64 NORTH AMERICAN 1927–Mexico
- 65 NORTH AMERICAN 1927–San Salvador Island
- 66 NORTH AMERICAN 1983–Alaska, Canada, Central America, CONUS, Mexico
- 67 NAPARIMA, BWI–Trinidad and Tobago
- 68 NAHRWAN–Masirah Island (Oman)
- 69 NAHRWAN–Saudi Arabia
- 70 NAHRWAN–United Arab Emirates
- 71 OBSERVATORIO 1966–Corvo and Flores Islands (Azores)
- 72 OLD EGYPTIAN–Egypt
- 73 OLD HAWAIIAN–Mean Value
- 74 OMAN–Oman
- 75 PICO DE LAS NIEVES–Canary Islands
- 76 PITCAIRN ASTRO 1967–Pitcairn Island
- 77 PUERTO RICO–Puerto Rico, Virgin Islands
- 78 QATAR NATIONAL–Qatar
- 79 QORNOQ–South Greenland
- 80 REUNION–Mascarene Island
- 81 ROME 1940–Sardinia Island
- 82 RT 90–Sweden

- 83 PROVISIONAL SOUTH AMERICAN 1956–Bolivia, Chile, Colombia, Ecuador, Guyana, Peru, Venezuela
- 84 SOUTH AMERICAN 1969–Argentina, Bolivia, Brazil, Chile, Colombia, Ecuador, Guyana, Paraguay, Peru, Venezuela, Trinidad and Tobago
- 85 SOUTH ASIA–Singapore
- 86 PROVISIONAL SOUTH CHILEAN 1963–South Chile
- 87 SANTO (DOS)–Espirito Santo Island
- 88 SAO BRAZ–Sao Miguel, Santa Maria Islands (Azores)
- 89 SAPPER HILL 1943–East Falkland Island
- 90 SCHWARZECK–Namibia
- 91 SOUTHEAST BASE–Porto Santo and Madeira Islands
- 92 SOUTHWEST BASE–Faial, Graciosa, Pico, Sao Jorge, and Terceira Islands (Azores)
- 93 TIMBALAI 1948–Brunei and East Malaysia (Sarawak and Sabah)
- 94 TOKYO–Japan, Korea, Okinawa
- 95 TRISTAN ASTRO 1968–Tristan da Cunha
- 96 User defined earth datum
- 97 VITI LEVU 1916–Viti Levu Island (Fiji Islands)
- 98 WAKE-ENIWETOK 1960–Marshall Islands
- 99 WORLD GEODETIC SYSTEM 1972
- 100 WORLD GEODETIC SYSTEM 1984
- 101 ZANDERIJ–Surinam
- 102 CH-1903–Switzerland
- 103 Hu-Tzu-Shan
- 104 Indonesia 74
- 105 Austria
- 106 Potsdam
- 107 Taiwan–modified Hu-Tzu-Shan
- 108 GDA–Geocentric Datum of Australia
- 109 Dutch

## **APPENDIX B: GARMIN BINARY OUTPUT FORMAT**

In Binary Output mode, GPS 18x series products will transmit packets once per second. The record contains primarily post-process information such as position and velocity information. For the GPS 18x PC, GPS 18x LVC, and GPS 18x-5Hz the record is sent at a default baud rate of 4800 baud, 8 data bits, and no parity.

To turn this record on for the GPS 18x PC, GPS 18x LVC, and GPS 18x-5Hz versions, use the \$PGRMC1 NMEA sentence as described in section [4 GPS 18x PC, GPS 18x LVC, & GPS 18x-5Hz Software Interface](#). Refer to the *Garmin Device Interface Specification* found in the Garmin Device Interface SDK for details on how to form and parse Garmin packets. At the time of this printing, these specs are available from the technical support section of our Web site [www.garmin.com/support/commProtocol.html](http://www.garmin.com/support/commProtocol.html).

**Note:** For the GPS 18x-5Hz, a baud rate of 9600 is not high enough to transmit all of the packets (since they are output at a 5 Hz rate). You will need to change the baud rate to at least 38400 to be able to transmit all of the packets. Refer to [Appendix C: Changing the Baud Rate in Garmin Mode](#) for information.

For the GPS 18x USB, the records must be enabled by commands to the unit. Refer to the *Garmin Device Interface Specification* found in the Garmin Device Interface SDK for details on how to form and parse Garmin packets over USB. At the time of this printing, these specs are available from the technical support section of our Web site: [www.garmin.com/support/commProtocol.html](http://www.garmin.com/support/commProtocol.html). The ID of each command should be 10 decimal to signify that the record is a command. The data portion of the packet should be one of the following:

Function	Command (base 10)
Position Record On	49
Position Record Off	50

Note that the satellite data information is also enabled when the position record is enabled.

Records sent over RS232 begin with a delimiter byte (10 hex). The second byte identifies the record type (33 hex for a position record, 34 hex for a receiver measurement and 72 hex for a satellite data record). The third byte indicates the size of the data. The fourth byte is the first byte of data. The data is then followed by a checksum byte, a delimiter byte (10 hex), and an end-of-transmission character (03 hex). Additionally, any DLEs (0x10) that appear between the delimiters are escaped with a second DLE. There is sample code at the end of this section that will strip off the DLEs and ETXs.

RS232 Packet:

- 0x10 (DLE is first byte)
- 0x## (Record ID – single byte)
- 0x## (Number of data bytes – single byte)
- data bytes (See descriptions below)
- 0x## (2's complement of the arithmetic sum of the bytes between the delimiters)
- 0x10 (DLE)
- 0x03 (ETX is last byte)

USB packets contain a header with a USB transport ID, a record ID, and the size of the record data in bytes. All unused reserved bytes in the header must be zero. Immediately following the header is the record data payload. Refer to the *Garmin Device Interface Specification* found in the Garmin Device Interface SDK for details on how to form and parse Garmin USB packets.

USB Packet:

- 0x## 0x00 0x00 0x00 (USB transport ID, 1 byte unsigned, 4 bytes reserved)
- 0x## 0x## 0x00 0x00 (Record ID, 2 bytes unsigned, 4 bytes reserved)
- 0x## 0x## 0x## 0x## (Number of data bytes in record, 4 bytes unsigned)
- record data payload

The data bytes of each packet contain the record specified by the record ID. A description of each record follows.

### **Satellite Data Record**

The satellite data has a record ID of 0x72 with 84 (0x54) data bytes. The data bytes contain data for 12 satellites as described below.

```
typedef          struct
{
    uint8         svid; //space vehicle identification (1-32 and 33-64 for WAAS)
    uint16        snr;   //signal-to-noise ratio
    uint8         elev; //satellite elevation in degrees
    uint16        azmth; //satellite azimuth in degrees
    uint8         status; //status bit-field
} cpo_sat_data;
```

The status bit field represents a set of booleans described below:

<b>Bit</b>	<b>Meaning when bit is one (1)</b>
0	The unit has ephemeris data for the specified satellite.
1	The unit has a differential correction for the specified satellite.
2	The unit is using this satellite in the solution.

This pattern is repeated for 12 satellites for a total of 12 X 7 bytes = 84 (0x54) bytes.

The RS-232 Packet for the Satellite Record looks like:

- 0x10 (DLE is first byte)
- 0x72 (Record ID – single byte)
- 0x54 (Number of data bytes – single byte)
- 12 cpo\_sat\_data records
- 0x## (2's complement of the arithmetic sum of the bytes between the delimiters)
- 0x10 (DLE)
- 0x03 (ETX is last byte)

The USB Packet for the Satellite Record looks like:

- 0x14 0x00 0x00 0x00 (USB Transport ID, 1 byte unsigned, 4 bytes reserved)
- 0x72 0x00 0x00 0x00 (Record ID, 2 bytes unsigned, 4 bytes reserved)
- 0x54 0x00 0x00 0x00 (Number of data bytes, 4 bytes unsigned)
- 12 cpo\_sat\_data records

## **Position Record**

The Position Record has a record identifier of

```
typedef struct
{
    float      alt;
    float      epe;
    float      eph;
    float      epv;
    int        fix;
    double     gps_tow;
    double     lat;
    double     lon;
    float      lon_vel;
    float      lat_vel;
    float      alt_vel;
    float      msl_hght;
    int        leap_sec;
    long       grmn_days;
} cpo_pvt_data;
```

alt	Ellipsoid altitude (meters)
epe	Estimated position error (meters)
eph	Position error, horizontal (meters)
epv	Position error, vertical (meters)
fix	0 = no fix; 1 = no fix; 2 = 2D; 3 = 3D; 4 = 2D differential; 5 = 3D differential; 6 and greater = not defined
gps_tow	GPS time of week (sec)
lat	Latitude (radians)
lon	Longitude (radians)
lon_vel	Longitude velocity (meters/second)
lat_vel	Latitude velocity (meters/second)
alt_vel	Altitude velocity (meters/second)
msl_hght	Height (mean sea level) (meters)
leap_sec	UTC leap seconds
grmn_days	Garmin days (days since December 31, 1989)

DLE and ETX bytes:

Sample C code to receive the two records should filter DLE and ETX bytes as described below:

```
typedef enum
{
    DAT,
    DLE,
    ETX
} rx_state_type;

/* Declare and initialize static variables */
static char    in_que[ 256 ];
static int     in_que_ptr = 0;
static rx_state_type rx_state = DAT;

.
.
.

void add_to_que( char data )
{
#define DLE_BYTE 0x10
#define ETX_BYTE 0x03

if ( rx_state == DAT )
    {
        if ( data == DLE_BYTE )
            {
                rx_state = DLE;
            }
        else
            {
                in_que[ in_que_ptr++ ] = data;
            }
    }
else if ( rx_state == DLE )
    {
        if ( data == ETX_BYTE )
            {
                rx_state = ETX;
            }
        else
            {
                rx_state = DAT;
                in_que[ in_que_ptr++ ] = data;
            }
    }
else if ( rx_state == ETX )
    {
        if ( data == DLE_BYTE )
            {
                rx_state = DLE;
            }
    }

if ( in_que_ptr > 255 )
    {
        in_que_ptr = 0;
    }
}
```



## **APPENDIX C: CHANGING THE BAUD RATE IN GARMIN MODE**

In certain cases, you may need to change the default baud rate of your Garmin GPS receiver while in Garmin mode. Follow these steps to temporarily change the baud rate.

Refer to the *Garmin Device Interface Specification* found in the Garmin Device Interface SDK for details on how to form and parse Garmin packets. At the time of this printing, these specs are available from the technical support section of our Web site: [www.garmin.com/support/commProtocol.html](http://www.garmin.com/support/commProtocol.html).

1. Turn off all requests by transmitting packet:

id = IOP\_RQST\_DATA (0x1C)

data = 0 (16-bit unsigned integer )

2. The GPS unit will respond by sending a packet with id = IOP\_ACK\_BYTE (0x06)

3. After you receive the above packet, transmit packet:

id = IOP\_BAUD\_RQST\_DATA (0x30)

data = baud rate to change to (32-bit unsigned integer; for example, 38400)

4. The GPS unit will respond by sending a packet:

id = IOP\_BAUD\_ACPT\_DATA (0x31)

data = highest acceptable baud rate closest to what was requested  
(32-bit unsigned integer; for example, 38361 decimal)

5. Determine the actual baud rate value from the data sent in step 4. This value will be within +/- 5% of the actual baud rate. (For example, the GPS unit might send a baud rate of 38361, which correlates to a baud rate of 38400).

6. If the baud rate in step 5 is acceptable, transmit packet:

id = IOP\_ACK\_BYTE (0x06)

data = IOP\_BAUD\_ACPT\_DATA (0x31)

7. Sleep for a small amount of time, about 100 milliseconds, to make sure the packet in (6) was successfully transmitted to the GPS unit.

8. Close the current connection to the GPS unit and immediately open a new connection with the new baud rate obtained in step 5.

9. Immediately after establishing a connection, transmit packet:

id = IOP\_CMND\_DATA (0x0A)

data = IOP\_ACK\_PING (0x3A)

10. The GPS will respond by sending a packet:

id = IOP\_ACK\_BYTE (0x06)

data = IOP\_CMND\_DATA (0x0A)

11. After you receive the above packet, transmit the same packet in step 9 again.

id = IOP\_CMND\_DATA (0x0A)

data = IOP\_ACK\_PING (0x3A)

12. The GPS will respond again with the same packet in step 10.

id = IOP\_ACK\_BYTE (0x06)

data = IOP\_CMND\_DATA (0x0A)

13. The baud rate has been successfully changed upon receiving the above packet. If the GPS unit does not receive these two IOP\_CMND\_DATA packets within two seconds, it will reset its baud rate to 9600.

## **APPENDIX D: GPS 18x PC/ LVC/18x-5HZ & WINDOWS SERIAL MOUSE ISSUE**

**Problem:** It is possible for Windows to incorrectly interpret the NMEA 0183 output of the GPS 18x PC as the output of a Microsoft Serial BallPoint Mouse. When that happens, Windows loads drivers for the Serial BallPoint Mouse. This causes the cursor to move erratically about the display, clicking, right clicking, double clicking, dragging and dropping displayed items as it goes. On Windows 2000 and Windows XP, you may not experience the problem if you wait until after the computer is booted before connecting the GPS 18x PC to the serial communications port. This problem is not specific to the GPS 18x PC. Any NMEA 0183 device connected to a Windows computer's serial port is likely to cause this problem. Below are several possible solutions to this problem.

**Note:** If your GPS 18x PC came with Garmin nRoute™ Navigation Software, you will not have this problem; the unit is programmed to produce data according to the binary format that is described in [Appendix B: Garmin Binary Output Format](#).

If you wish to use a different navigation software application with your GPS 18x PC, you will need to de-select the “Binary Output Data” option that is discussed in Solution 3 below.

**Solution 1:** The easiest solution is to disable the Serial BallPoint mouse in the Device Manager. This solution assumes that you do not need to use a Serial BallPoint mouse with your computer. When erratic mouse movements occur, follow the steps below.

1. Unplug the DB9 connector.
2. Right-click the **My Computer** icon on your desktop and select **Properties** to open Device Manager.
3. Go to the hardware tab of the resulting pop-up window and click on the **Device Manager** button.
4. Right-click on **Serial BallPoint Mouse** and choose the option to **Disable** (NOT uninstall) this device.

**Solution 2:** Do not plug the DB9 connector into the computer until the computer is turned on and the operating system is completely booted up and running. Every time you use the GPS 18x PC/LVC, you will need to start the computer and operating system before making the connection between the GPS 18x PC and the computer. This solution usually works on Windows 2000 and Windows XP computers.

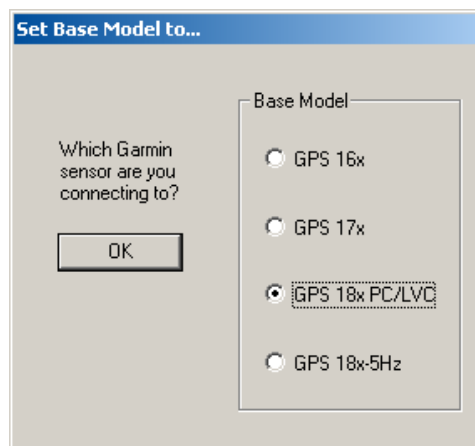
**Solution 3:** Change the default output of the GPS 18x PC/LVC so that it does not automatically send NMEA 0183 data to the computer (change the default configuration to enable “Binary Output Data”). Use the Garmin Sensor Configuration Software, named SNSRCFG.EXE, provided on the Web site to enable “Binary Output Data.” To download the software, start at [www.garmin.com/oem](http://www.garmin.com/oem), select the GPS 18x, and then select **Updates and Downloads**.

Please note that by enabling “Binary Output Data,” the device will no longer appear as a NMEA 0183 device to your computer. As a result, mapping applications that expect to hear NMEA 0183 data will not recognize your GPS 18x P/LVC until you re-enable the NMEA 0183 output, disabling the “Binary Output Data” in the process.

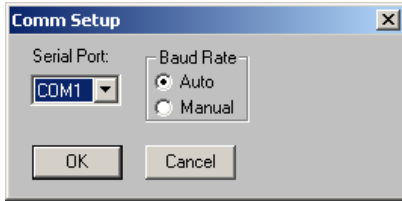
Refer to [Appendix E: Sensor Configuration Software](#) for complete information about downloading the Sensor Configuration Software application.


After the Sensor Configuration Software is installed and running on your computer, follow the steps below to change the default data output of the GPS 18x PC, LVC, or GPS 18x-5Hz.

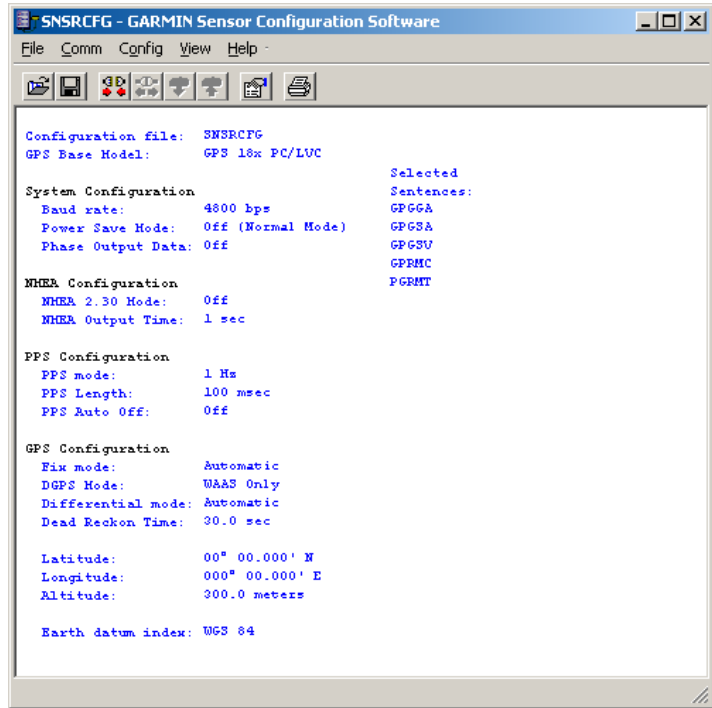
1. Select the **GPS 18x PC / LVC** or the **GPS 18x-5Hz** from the list of sensors and click **OK**. The Sensor Configuration Software opens with the default configuration file for the GPS 18x, as shown on the next page.
2. Select **Config > Switch to NMEA Mode** (or press the F10 key).
3. Select **Comm > Setup** to open the Comm Setup Window.



- Select the serial port to which the GPS 18x is connected. Select **Auto** to have the program automatically determine the baud rate, or select **Manual** to manually select the baud rate of the GPS 18x. Click **OK** when done.



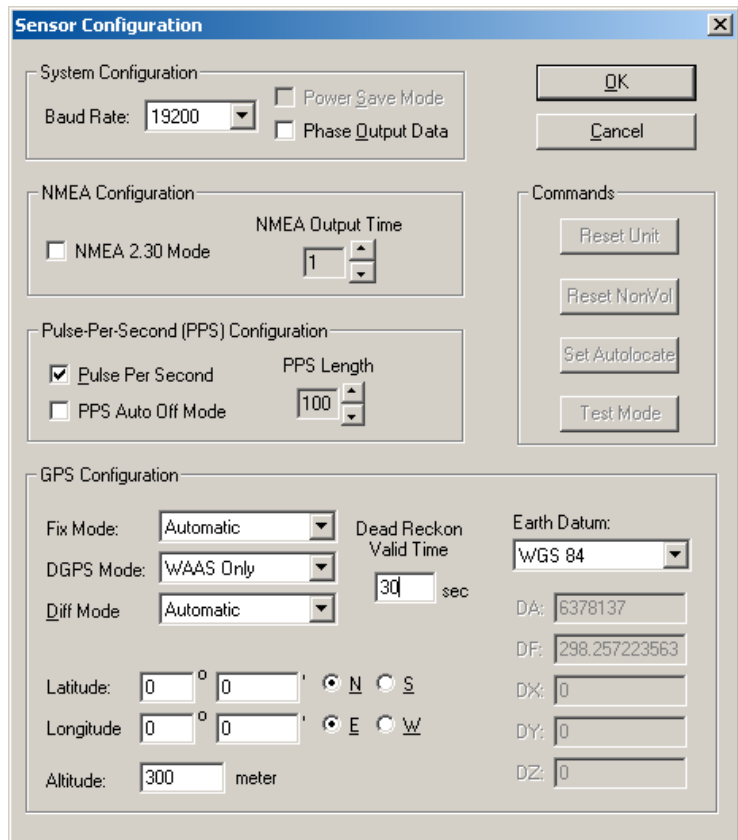
- Click the Connect icon , or select **Comm > Connect** to connect to the GPS 18x.
- To view the current programming of the GPS 18x, select **Config > Get Configuration from GPS** (or press the F8 key). The current programming of the GPS 18x is displayed in the window, as shown on the previous page.
- Open the Sensor Configuration Window by pressing the F6 key or selecting **Config > Sensor Configuration**.



- Place a check mark in the box next to "Binary Output Data" to change the GPS 18x to Garmin Mode. The unit will keep this change in the programming until you change it again in the software.

**Note:** Selecting **Config > Switch to Garmin Mode** (or pressing the F11 key) only changes the unit to work in Garmin Mode until power is cycled through the unit again. For a more permanent change, refer to step 8 above.

- Click **OK**.
- When you are ready to upload the changes into the GPS 18x, select **Config > Send Configuration to GPS** (or press the F9 key). The new configuration is then loaded into the GPS 18x.
- You may disconnect and close the software when finished. The software configuration can also be saved for future reference.



Refer to [Appendix E: Sensor Configuration Software](#) for complete information about downloading the Sensor Configuration Software application.

## APPENDIX E: SENSOR CONFIGURATION SOFTWARE

The Garmin Sensor Configuration Software (SNSRCFG.exe) configures the GPS sensors based on user-selected parameters. Some application features include the ability to download GPS sensor configuration, maintain different configurations in files, and perform GPS sensor configurations quickly with the use of one function key.

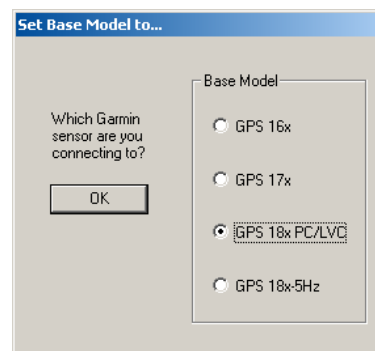
This section provides a brief overview of the Sensor Configuration Software. Refer to this section when using the software to configure your Garmin sensor.

### Downloading the Sensor Configuration Software

SNSRCFG.exe is available from the Garmin Web site. To download the software, go to [www.garmin.com/oem](http://www.garmin.com/oem). Click **GPS 18x 5Hz** or **GPS 18x OEM** (for the GPS 18x USB, 18x PC, and 18x LVC), and click **Updates & Downloads**. SNSRCFG.exe is included in the software update download.

### Selecting a Model


Double-click **SNSRCFG.exe**. The Set Base Model to... window appears. Select the radio button next to the type of Garmin sensor you are configuring.

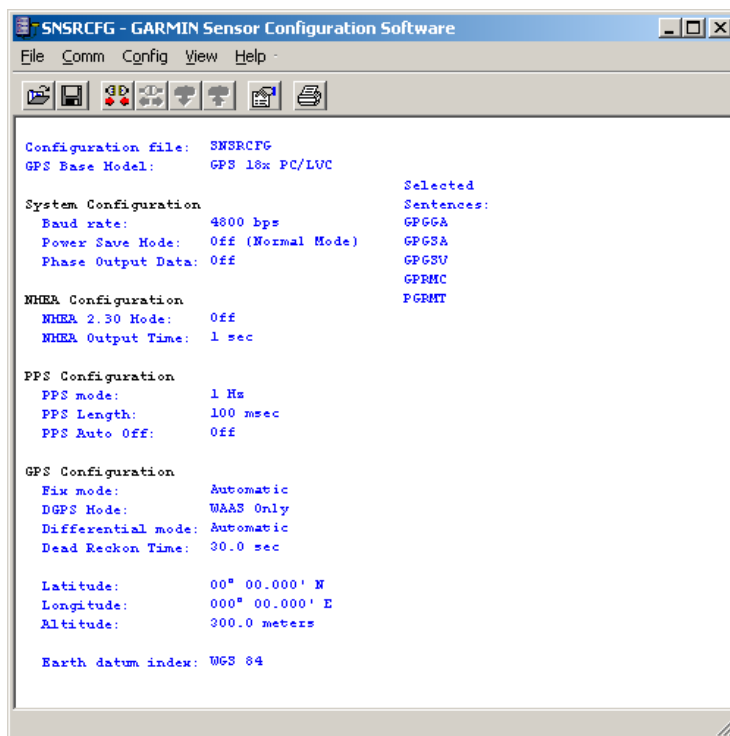


### Connecting to the Sensor

After selecting the type of sensor, the following window opens. This is the Main Interface Screen for the program.

To configure your sensor, you must first connect to the sensor.

1. Select **Config > Switch to NMEA Mode** (or press the F10 key).
2. Select **Comm > Setup** to open the Comm Setup window.
3. Select the serial port to which the sensor is connected. Select **Auto** to have the program automatically determine the baud rate, or select **Manual** to manually select the baud rate of the GPS 18x. Click **OK**.
4. Click the **Connect** icon , or select **Comm > Connect**.
5. To view the current programming of the sensor, select **Config > Get Configuration from GPS** (or press the F8 key). The current programming of the sensor appears as shown in the example to the right.



## Menus

### File Menu

The File Menu allows you to open, save, and print sensor configurations. The items in the File Menu work like most Windows-based programs.

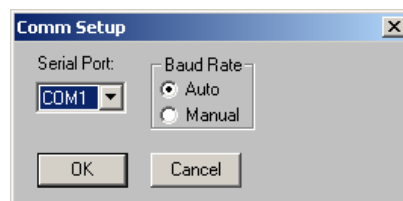
### Comm Menu

The Comm (Communication) Menu allows you to set the port number and baud rate, as well as connect to the sensor and disconnect from the sensor.

**Setup:** Opens the Comm Setup window. Select the serial port to which the sensor is connected from the drop-down list. Select **Auto** (the program determines the baud rate on its own) or **Manual** (you enter the baud rate) for the baud rate entry.

**Connect:** Select **Connect** to connect to the sensor in order to change or view the configuration.

**Disconnect:** Select **Disconnect** to disconnect from the sensor.



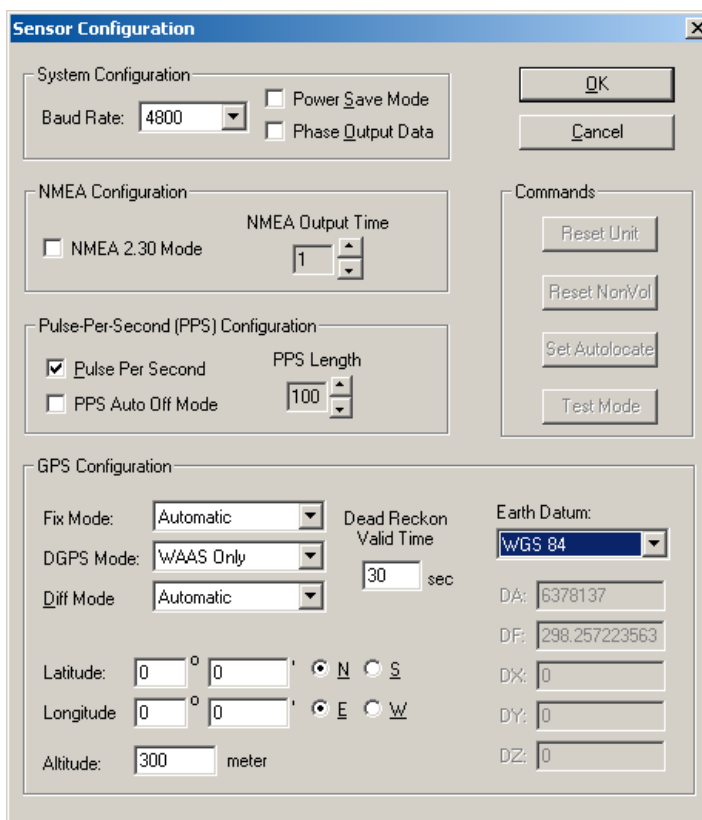
### Config Menu

The Config (Configuration) Menu allows you to configure the sensor as it is connected.

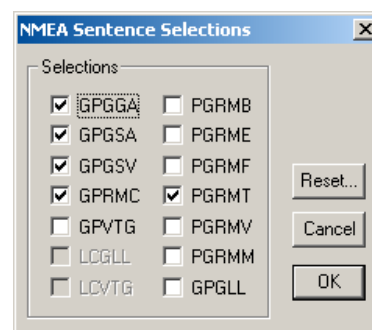
**Sensor Configuration (F6):** Opens the Sensor Configuration window, shown to the right. Many of the fields in this window should not be changed. Refer to the beginning of this manual for information on many of these fields. This window is used to enter a new latitude, longitude, and altitude for the sensor. This is especially helpful when you are programming the sensor for use in a particular geographic location.

Click **Reset Unit** to perform a reset on the unit, much like cycling the power.

Resetting the non-volatile memory (**Reset NonVol**) clears all of the data from the non-volatile memory.



**NMEA Sentence Selections (F7):** Displays the NMEA Sentence Selections window. If the sentence is enabled, a check mark appears in the box to the left of the sentence name. Click the box to enable or disable the sentence.



**Get Configuration From GPS (F8):** Retrieves the current programming from the sensor. The programming is then displayed in the Main Interface window.

**Send Configuration To GPS (F9):** Sends your updated configuration programming to the sensor.

**Switch to NMEA Mode (F10):** Switches the unit to NMEA Mode. The sensor must be in NMEA Mode when connected to this software.

**Switch to Garmin Mode (F11):** Switches the unit to Garmin Mode.

**Update Software (F12):** After you have downloaded a new software version for the sensor, you can update the sensor with the new software. Select **Update Software** and then select the file using the Open dialog box. You must locate both the .rgn file and the updater.exe file.

### **View Menu**

The View Menu allows you to view the NMEA sentences transmitted by the sensor. You can also customize how the program looks by showing and hiding the Toolbar and Status Bar.

### **Help Menu**

The Help Menu displays the software version and copyright information.

**For the latest free software updates (excluding map data) throughout the life of your Garmin products, visit the Garmin Web site at [www.garmin.com](http://www.garmin.com).**



© 2008–2011 Garmin Ltd. or its subsidiaries

Garmin International, Inc.  
1200 East 151<sup>st</sup> Street, Olathe, Kansas 66062, USA

Garmin (Europe) Ltd.  
Liberty House, Hounsdown Business Park, Southampton, Hampshire, SO40 9LR UK

Garmin Corporation  
No. 68, Zhangshu 2<sup>nd</sup> Road, Xizhi Dist., New Taipei City, 221, Taiwan (R.O.C.)

[www.garmin.com](http://www.garmin.com)

Part Number 190-00879-08 Rev. D